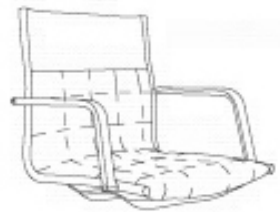


Assembly Instructions ZANDER Low Back Office Chair

PLEASE NOTE: Check that you have received all components and hardware before assembling. If you are missing any parts fax Euro Style at 415.455.8033 or email: claims@gotoeurostyle.com



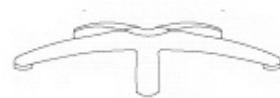
A (1 pc)



B (1 pc)



C (1 pc)



D (1 pc)



E (5 pcs)



F (4 pcs)
M8 X 20mm

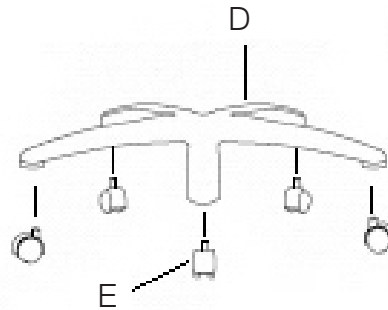


G (4 pcs)

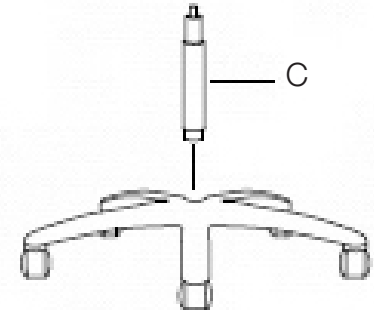


H (1 pc)
5mm

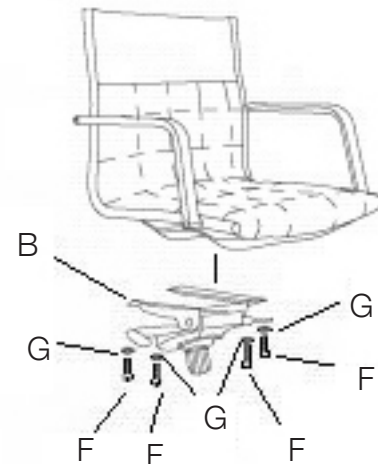
1



2



3



4

