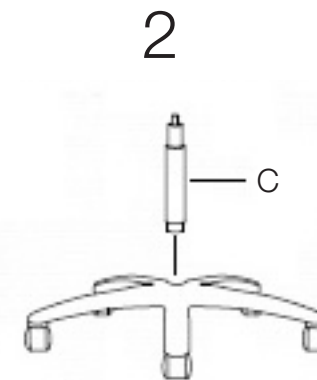
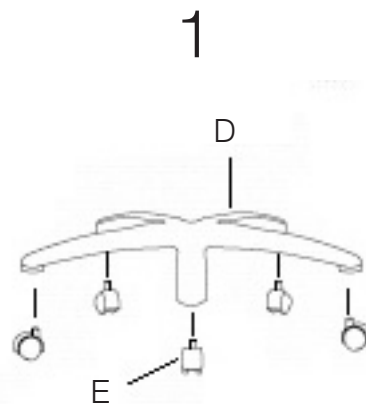


## Assembly Instructions ZANDER High Back Office Chair

PLEASE NOTE: Check that you have received all components and hardware before assembling. If you are missing any parts fax Euro Style at 415.455.8033 or email: [claims@gotoeurostyle.com](mailto:claims@gotoeurostyle.com)



A (1 pc)

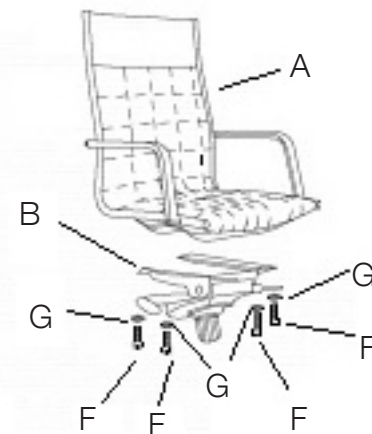


B (1 pc)

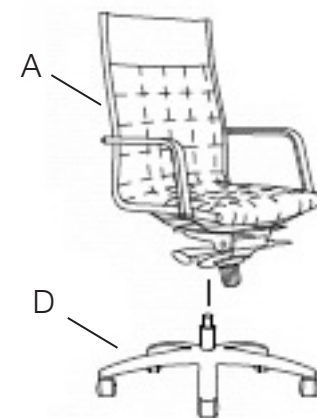


C (1 pc)

3



4



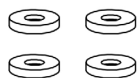
D (1 pc)



E (5 pcs)



F (4 pcs)  
M8 X 20mm



G (4 pcs)



H (1 pc)  
5mm