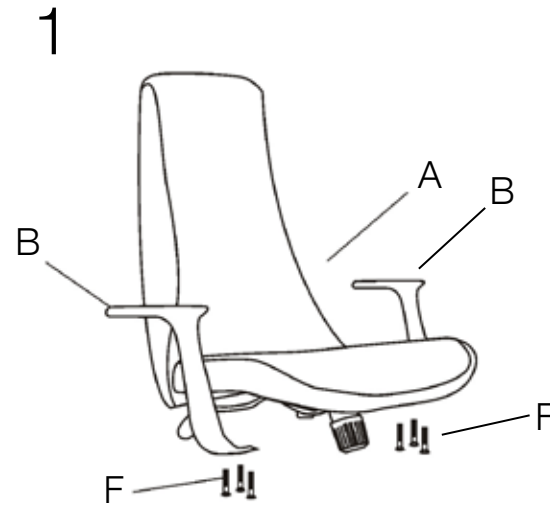
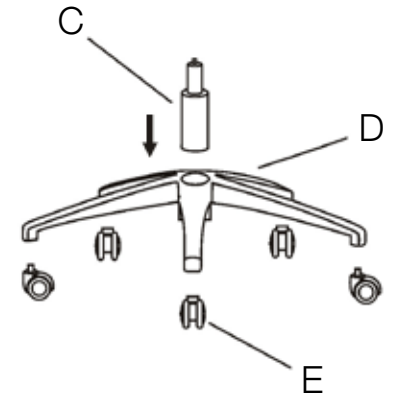


## Assembly Instructions TUPAC Office Chair

PLEASE NOTE: Check that you have received all components and hardware before assembling. If you are missing any parts fax Euro Style at 415.455.8033 or email: [claims@gotoeurostyle.com](mailto:claims@gotoeurostyle.com)



2



A (1 pc)



D (1 pc)



B (2 pcs)



E (5 pcs)



C (1 pc)



F (6 pcs)  
(M6 x 30mm)



M6

3

