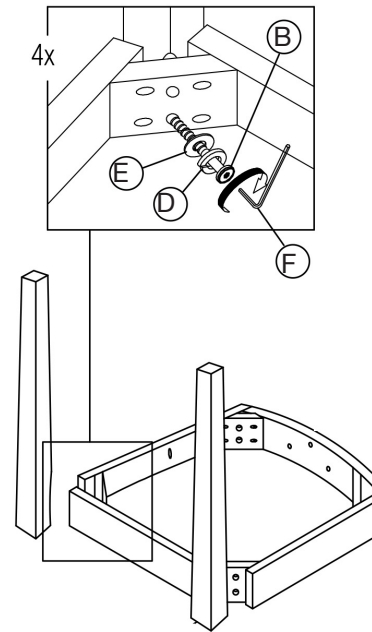


Assembly Instructions TOUCHSTONE Side Chair

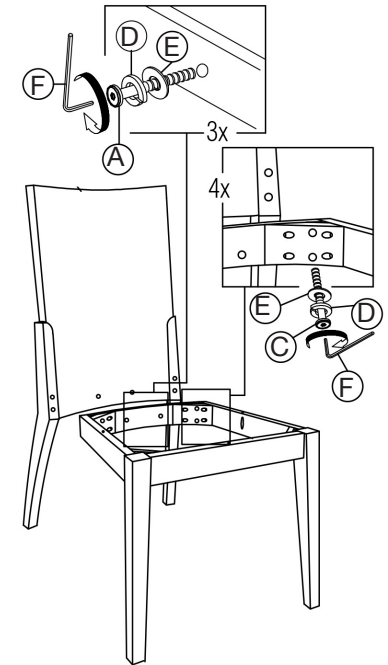
PLEASE NOTE: Check that you have received all components and hardware before assembling.
If you are missing any parts fax Euro Style at 415.455.8033 or email: claims@gotoeurostyle.com



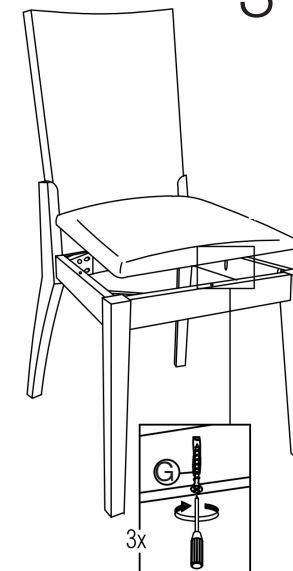
1



2



3



A (2 pcs)
M6 x 40mm



E (10 pcs)



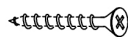
B (4 pcs)
M6 x 60mm



F (1 pc)



C (4 pcs)
M6 x 80mm



G (3 pcs)
M8 x 32mm



D (10 pcs)

During assembly, hand tighten screw only. When the screw is in place, tighten completely.