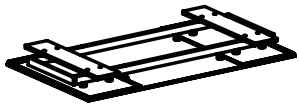
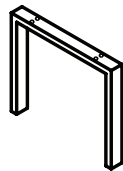


Assembly Instructions THEODORE Extension Table



A (1 pc)



B (2 pcs)



C (8 pcs)
M8 x 48mm



D (1 pc)
6mm

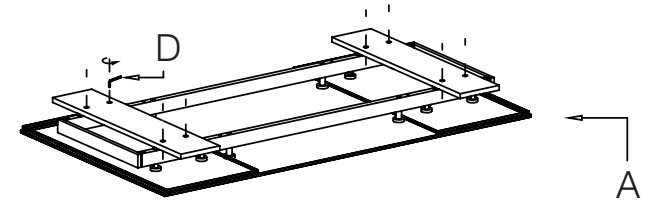


E (8 pcs)

1

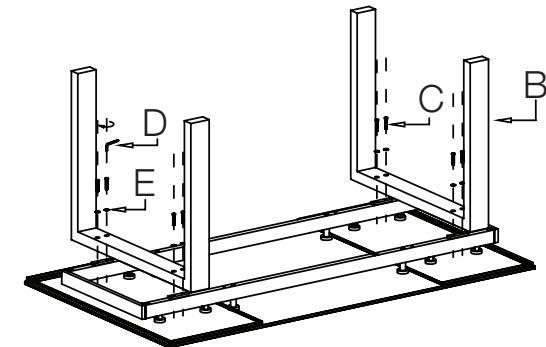
PLEASE NOTE: Check that you have received all components and hardware before assembling. If you are missing any parts, contact your retailer, or fax Eurø Style at 415.455.8033 or email: cs@gotoeurostyle.com.

Use part D to remove the protective wood panels. Keep all bolts and screws.



2

Secure part A to part B by screwing parts C and E into the holes of A and B.



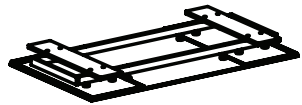
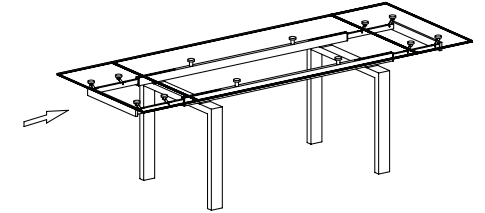
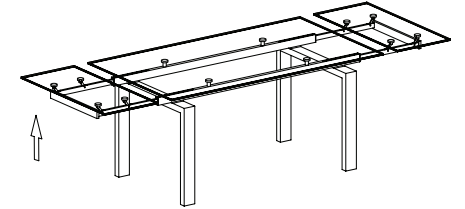
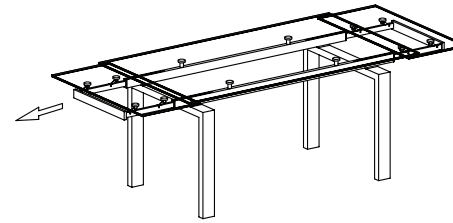
During assembly, hand tighten screws only. When the screws are in place, tighten completely.

Assembly Instructions THEODORE Extension Table

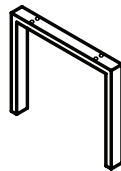
PLEASE NOTE: Check that you have received all components and hardware before assembling. If you are missing any parts, contact your retailer, or fax Eurø Style at 415.455.8033 or email: cs@gotoeurostyle.com.



- 3** Stand the table in an upright position. Pull the side handles out and then push the glass extension leaves up. Finish by pushing the glass extension leaves towards the center of the table.



A (1 pc)



B (2 pcs)



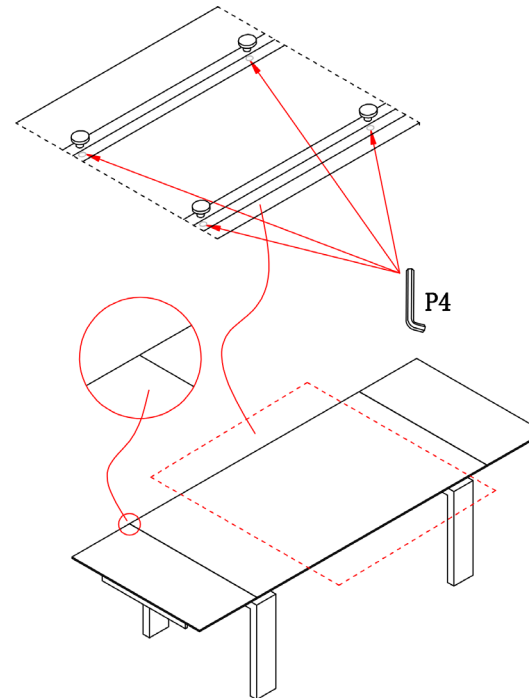
C (8 pcs)
M8 x 48mm



D (1 pc)
6mm



E (8 pcs)



How to align the glass top?

Step 1: Use the P4 wrench (4mm Allen wrench) to loose the bolts

Step 2: Align the middle glass with the glass leaves

Step 3: Retighten the bolts

During assembly, hand tighten screws only. When the screws are in place, tighten completely.