

# eurø style™

## Assembly Instructions TALISA Side Table



A (2 pcs)  
M1/4 x 38MM



B (2 pcs)



C (4 pcs)

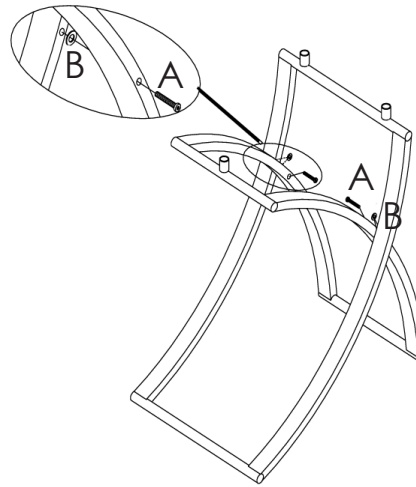


D (3 pcs)  
M1/4 x 30MM

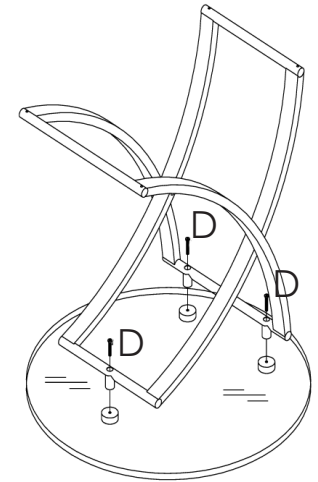


E (1 pc)

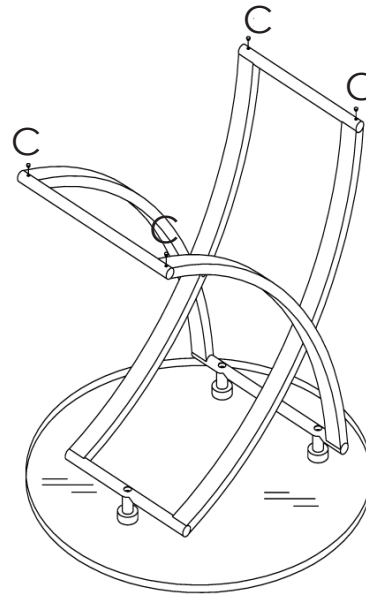
1



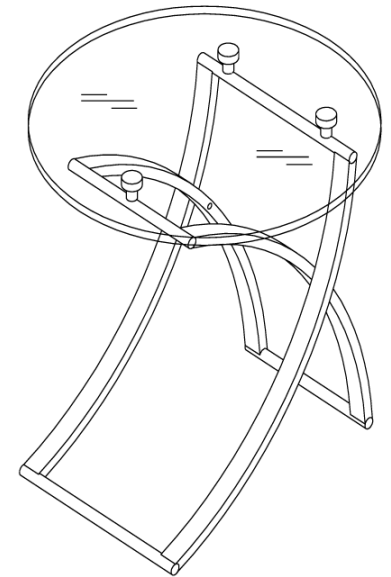
2



3



4



PLEASE NOTE: Check that you have received all components and hardware before assembling. If you are missing any parts, contact your retailer, or fax Eurø Style at 415.455.8033 or email: [cs@gotoeurostyle.com](mailto:cs@gotoeurostyle.com).