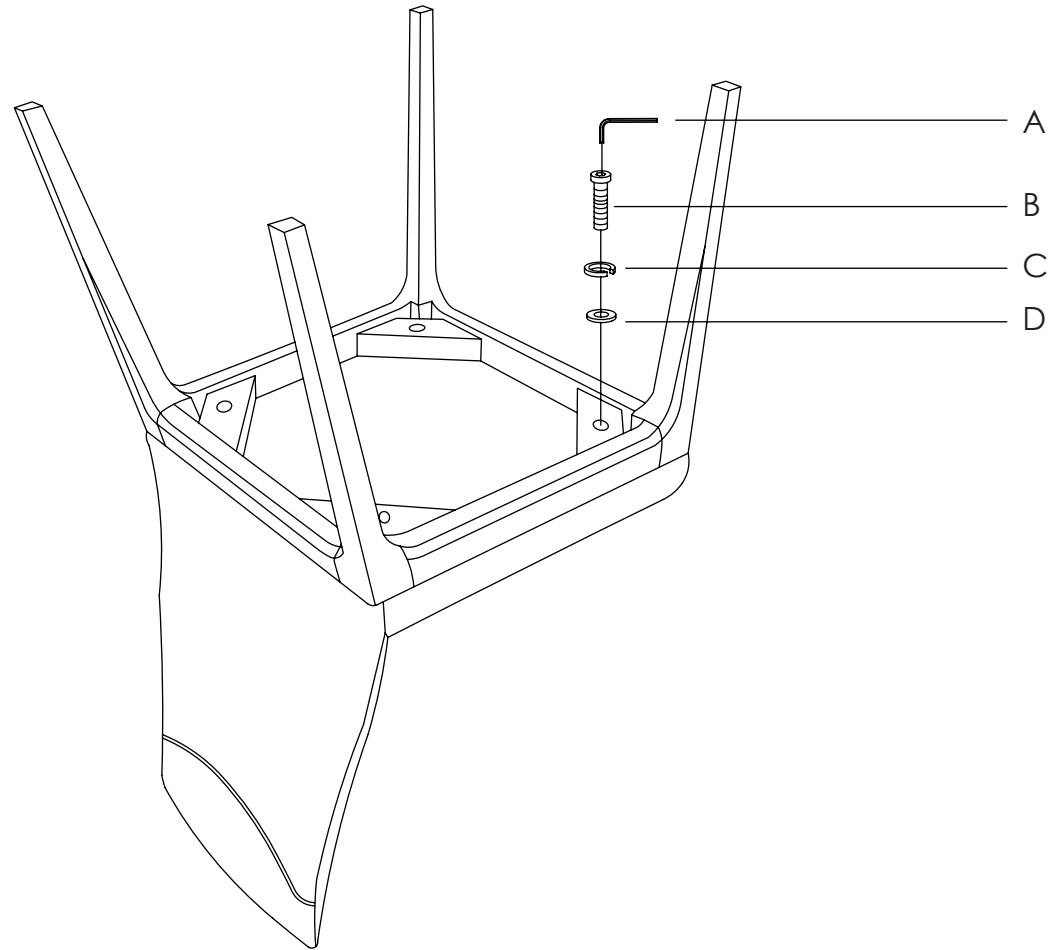


eurø style™

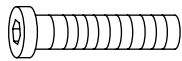
Assembly Instructions

SULLY Low Back Side Chair

PLEASE NOTE: Check that you have received all components and hardware before assembling. If you are missing any parts, contact your retailer, or fax Eurø Style at 415.455.8033 or email: cs@gotoeurostyle.com.



A (1 pc)
4mm



B (4 pcs)
M6 x 40mm



C (4 pcs)



D (4 pcs)