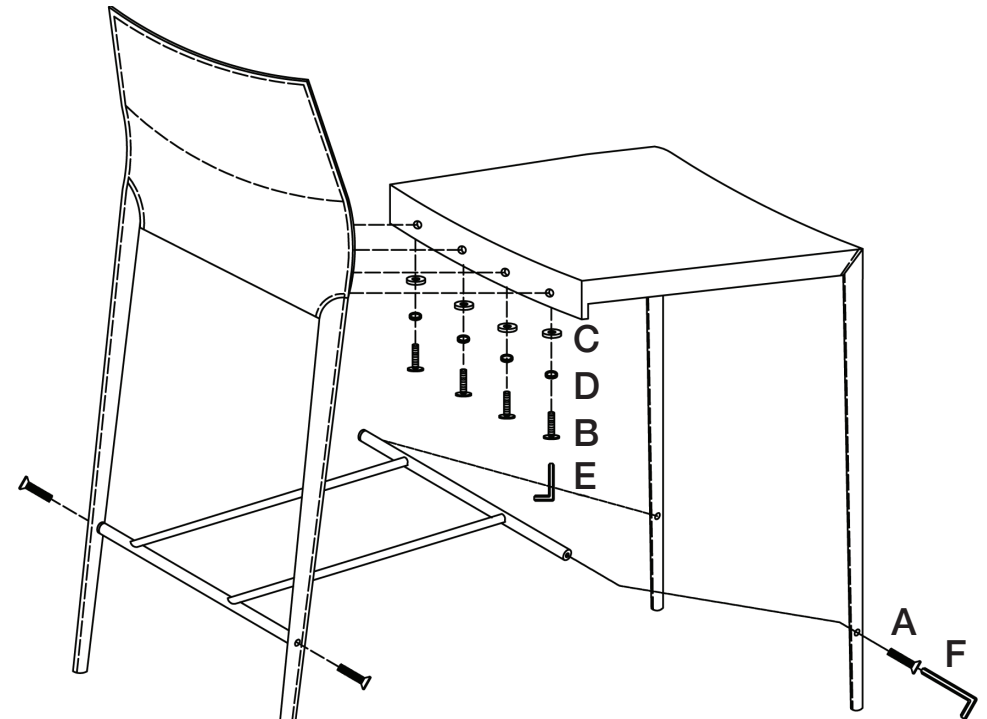




PLEASE NOTE: Check that you have received all components and hardware before assembling. If you are missing any parts fax Euro Style at 415.455.8033 or email: claims@gotoeurostyle.com

Assembly Instructions SHEN-B Bar Stool



Ø1/4" X 1-1/2"



A (4 pcs)

Ø5/16" X 3/4"



B (4 pcs)

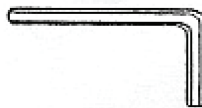


C (4 pcs)



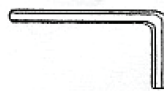
D (4 pcs)

5mm



E (1 pc)

4mm



F (1 pc)

During assembly, hand tighten screws only. When all screws are in place, then tighten completely.