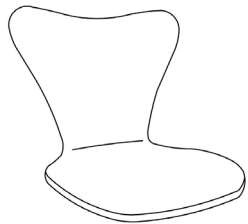


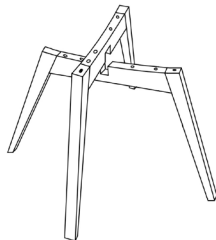
# euø style™

## Assembly Instructions SANDRA Side Chair

PLEASE NOTE: Check that you have received all components and hardware before assembling. If you are missing any parts fax Euro Style at 415.455.8033 or email: [claims@gotoeurostyle.com](mailto:claims@gotoeurostyle.com)



A (1 pc)



B (2 pcs)



C (8 pcs)  
M6 x 60mm



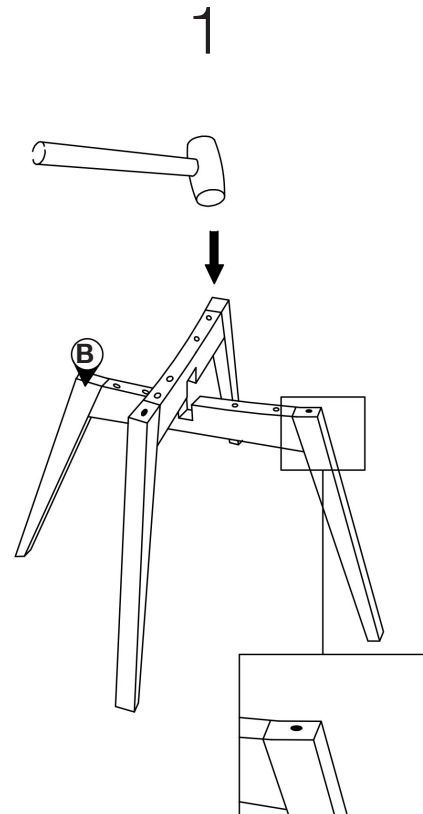
D (8 pcs)



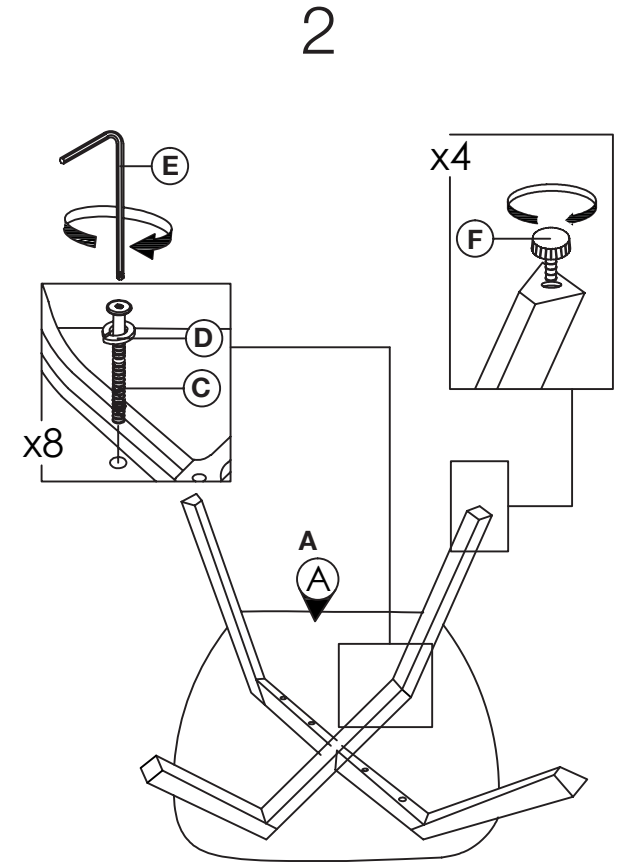
E (1 pc)  
1/4"



F (4 pcs)



1



2

**IMPORTANT NOTE:**  
ASSEMBLE LEGS WITH  
HOLE MARKINGS  
FACING TOWARDS  
THE FRONT