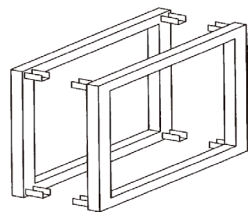


# euø style™

## Assembly Instructions SANDOR Coffee Table

PLEASE NOTE: Check that you have received all components and hardware before assembling. If you are missing any parts, contact your retailer, or fax Eurø Style at 415.455.8033 or email: [cs@gotoeurostyle.com](mailto:cs@gotoeurostyle.com).



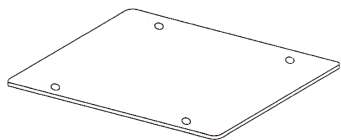
A (1 set)



B (2 pcs)



C (2 pcs)



D (1 pc)



E (4 pcs)  
1/4 x 25mm



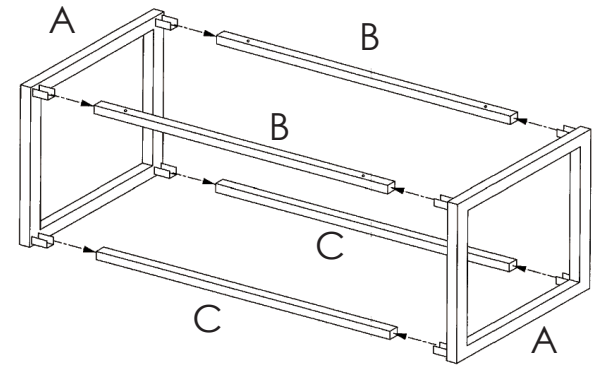
F (16 pcs)  
1/4 x 12mm



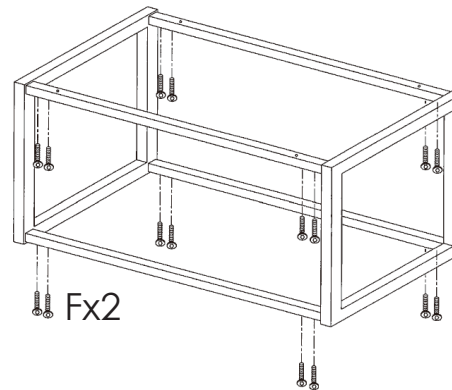
G (1 pc)

05.26.16 ar

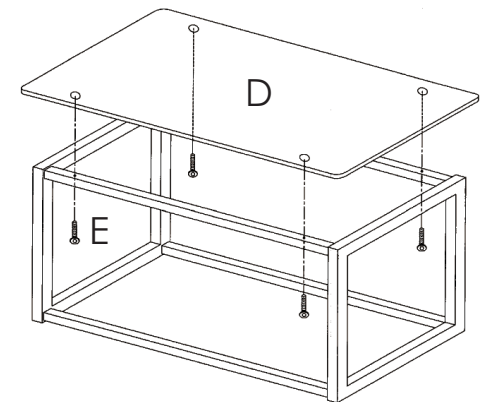
1



2



3



During assembly, hand tighten screws only. When the screws are in place, tighten completely.