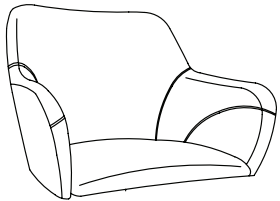


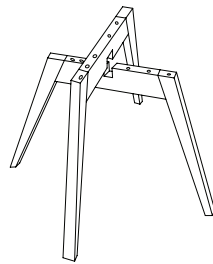
eurø style™

Assembly Instructions SAMPSON Arm Chair

PLEASE NOTE: Check that you have received all components and hardware before assembling. If you are missing any parts, contact your retailer, or fax Eurø Style at 415.455.8033 or email: cs@gotoeurostyle.com.



A (1 pc)



B (2 pcs)



C (8 pcs)
M6 x 70mm



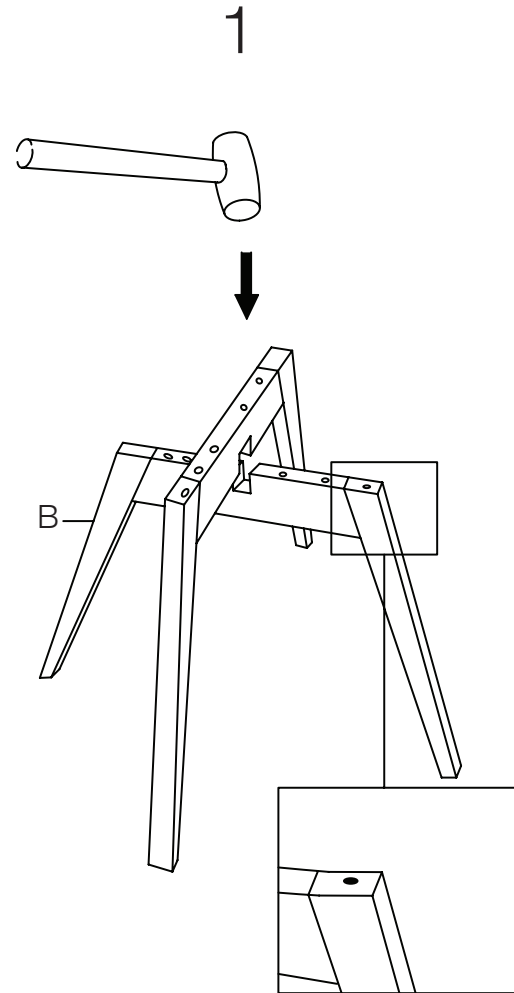
D (8 pcs)
1/4"



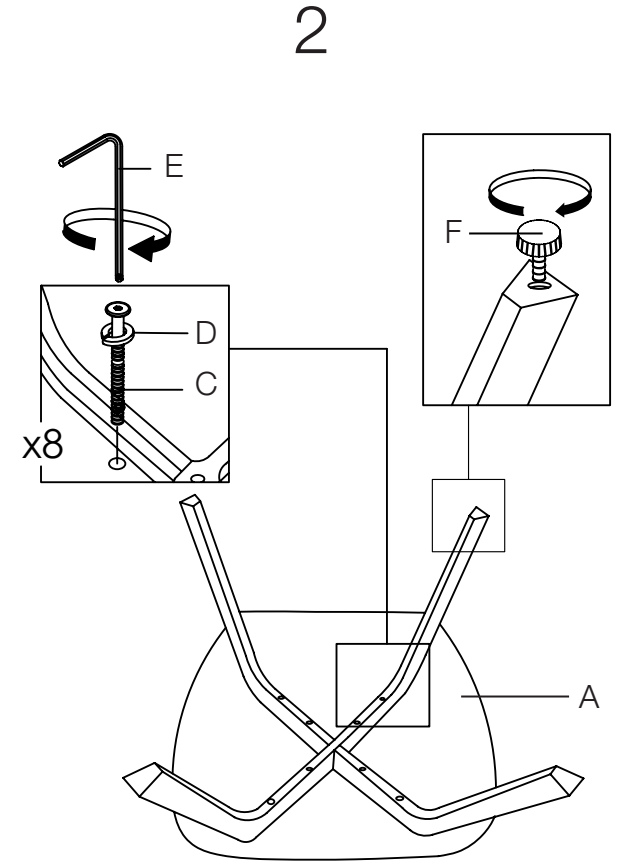
E (1 pc)
4mm



F (4 pcs)



1



2

IMPORTANT NOTE:
ASSEMBLE LEGS WITH
HOLE MARKINGS
FACING TOWARDS
THE FRONT