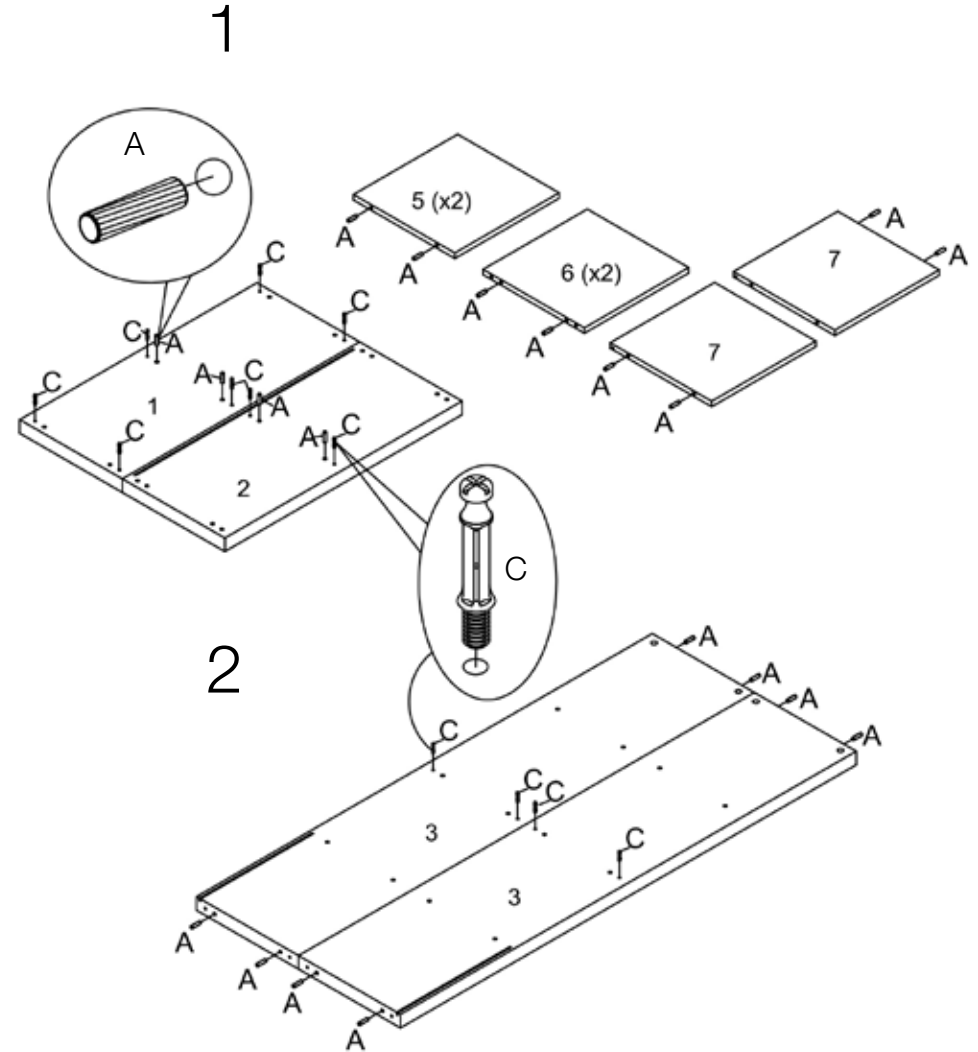
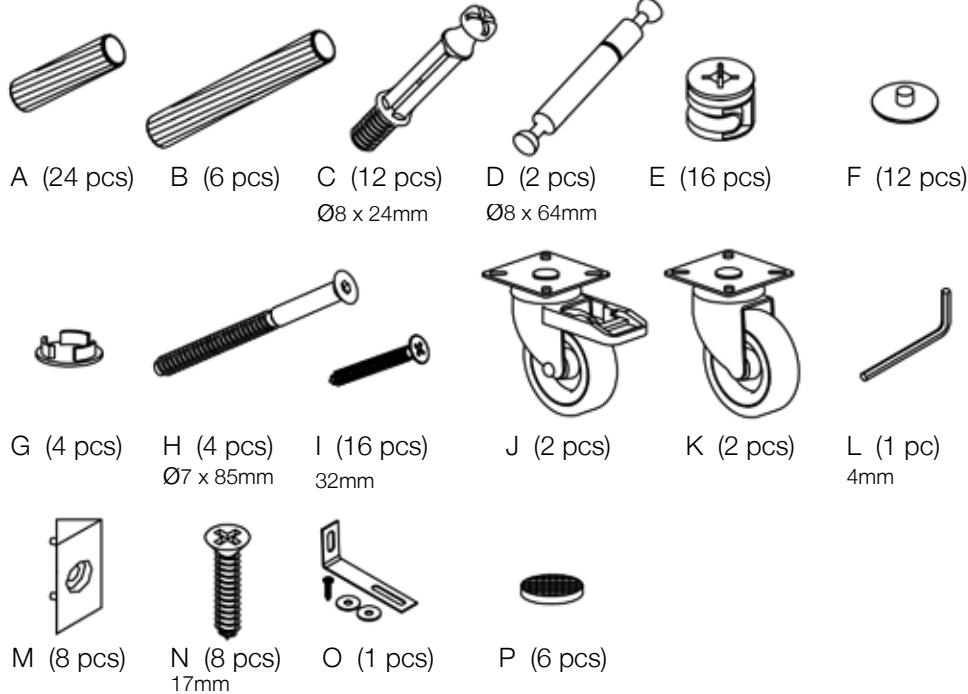
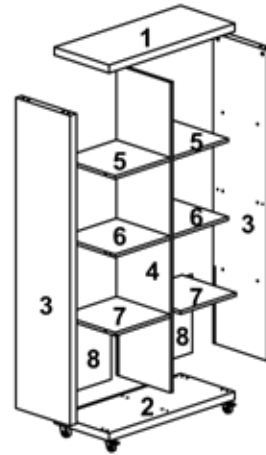


## Assembly Instructions

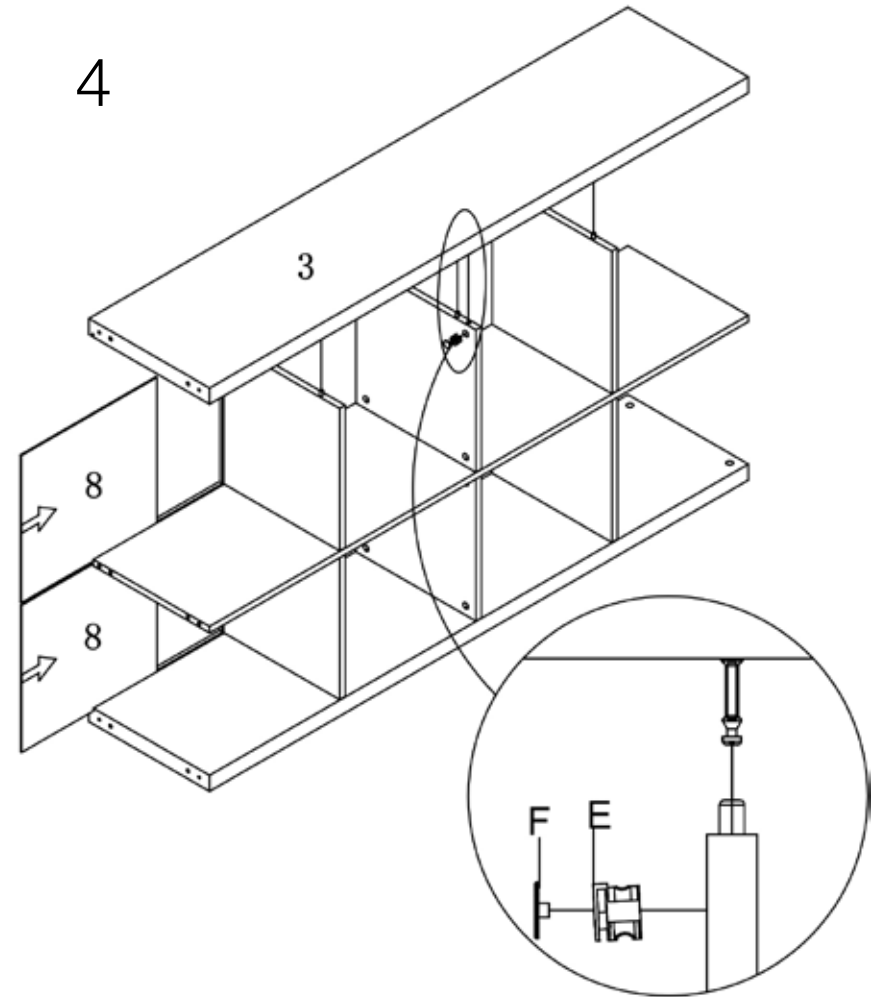
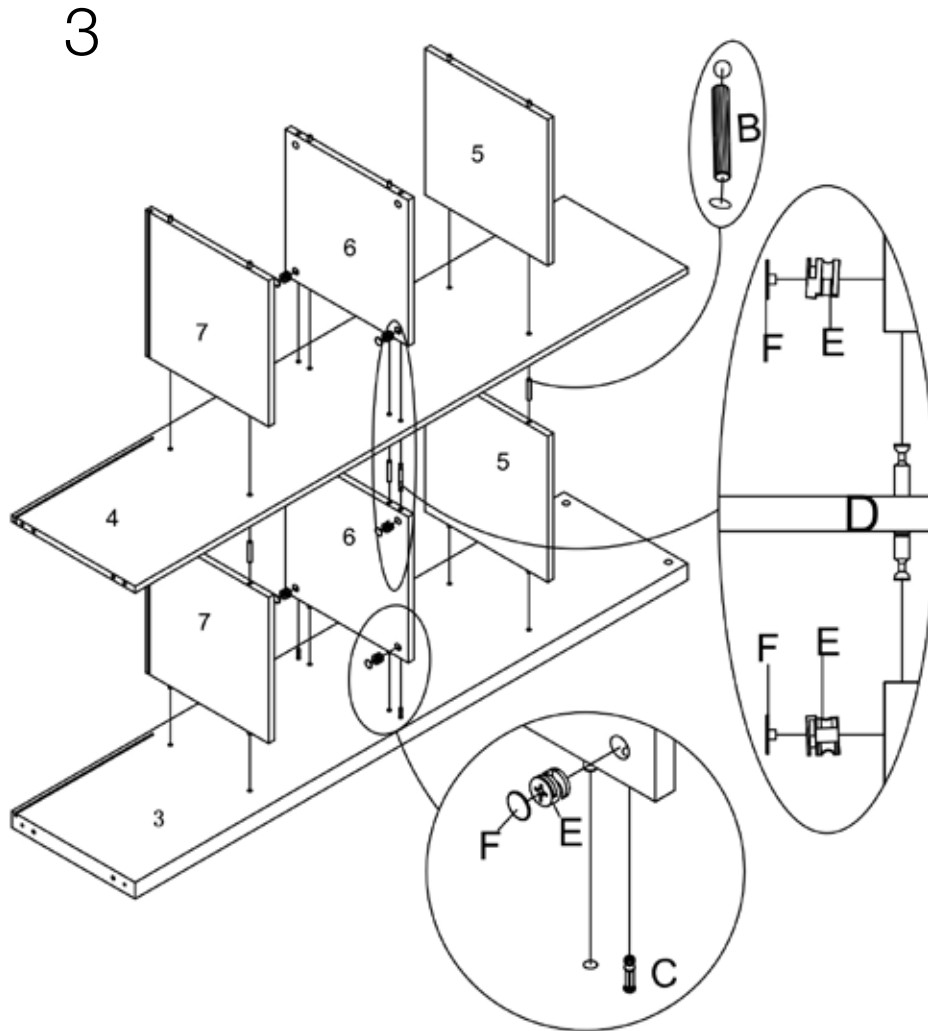
### SABRA 4x2 Shelving Unit Page 1 of 5

PLEASE NOTE: Check that you have received all components and hardware before assembling. If you are missing any parts fax Euro Style at 415.455.8033 or email: [claims@gotoeurostyle.com](mailto:claims@gotoeurostyle.com)



During assembly, hand tighten screws only. When all screws are in place, then tighten completely.

PLEASE NOTE: Check that you have received all components and hardware before assembling. If you are missing any parts fax Euro Style at 415.455.8033 or email: [claims@gotoeurostyle.com](mailto:claims@gotoeurostyle.com)



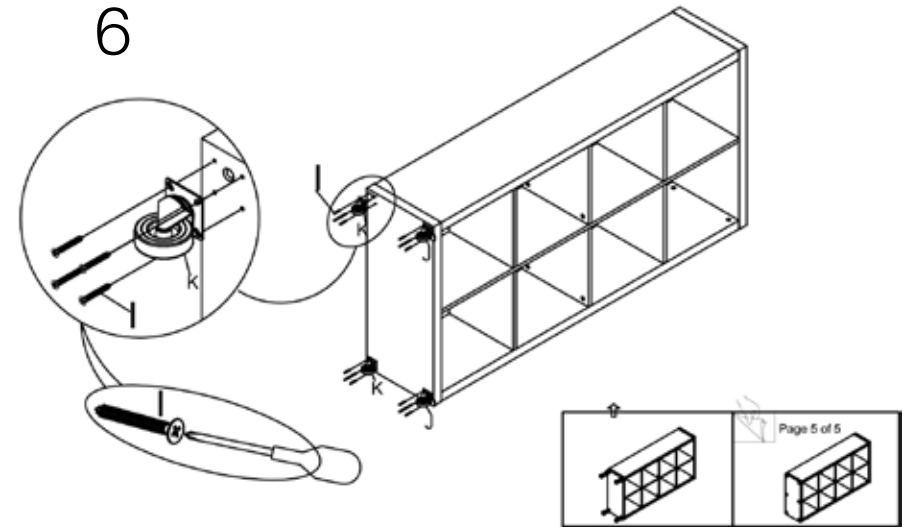
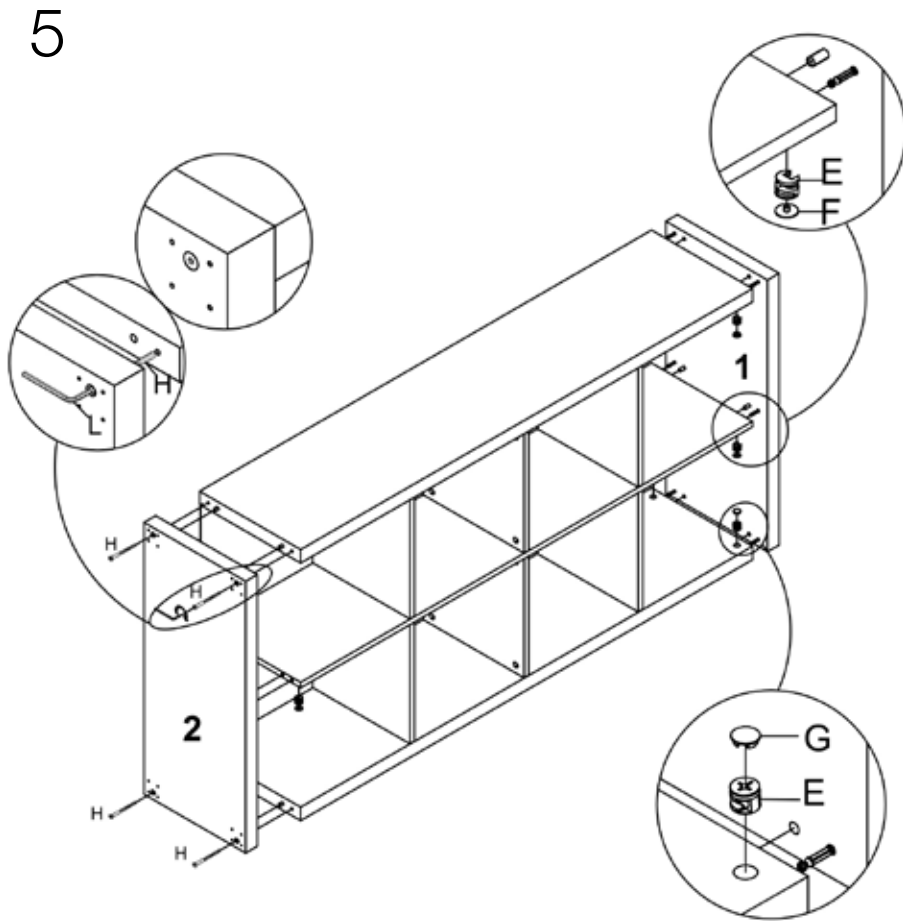
During assembly, hand tighten screws only. When all screws are in place, then tighten completely.

# euø style

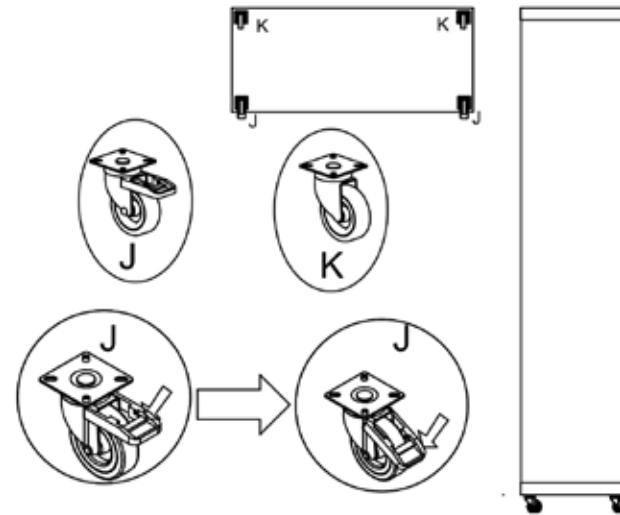
## Assembly Instructions

### SABRA 4x2 Shelving Unit Page 3 of 5

PLEASE NOTE: Check that you have received all components and hardware before assembling. If you are missing any parts fax Euro Style at 415.455.8033 or email: [claims@gotoeurostyle.com](mailto:claims@gotoeurostyle.com)



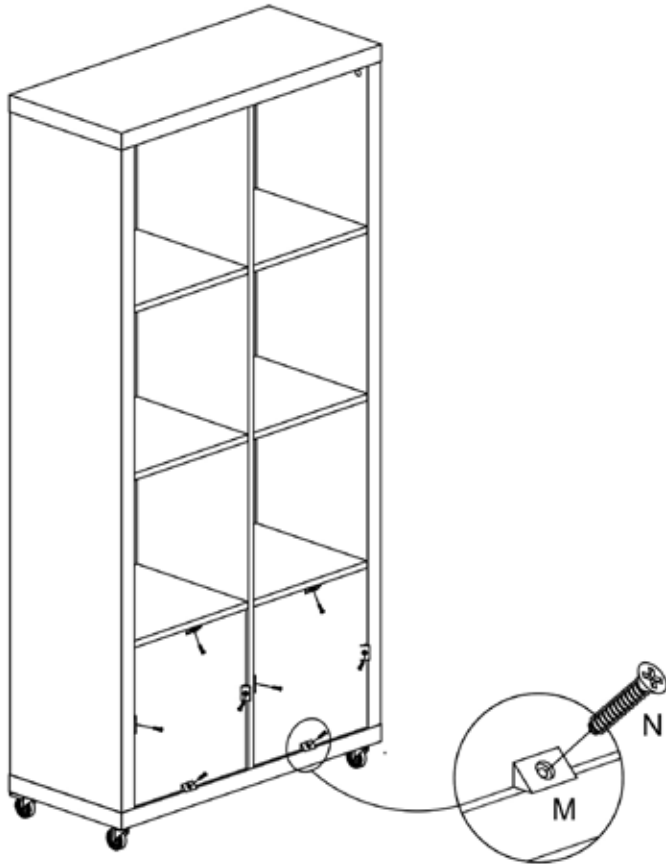
7 Install the casters as shown below and apply brakes on casters when shelf is at desired location.



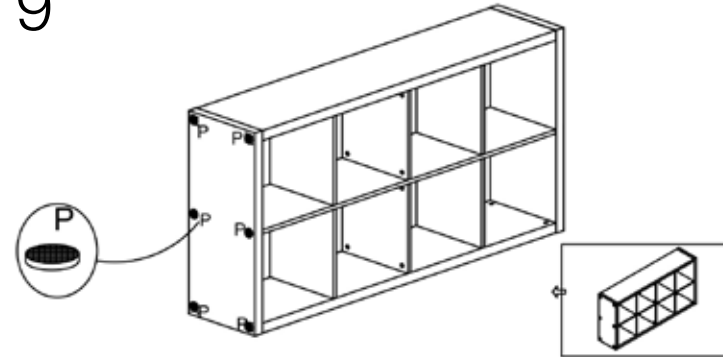
During assembly, hand tighten screws only. When all screws are in place, then tighten completely.

PLEASE NOTE: Check that you have received all components and hardware before assembling. If you are missing any parts fax Euro Style at 415.455.8033 or email: [claims@gotoeurostyle.com](mailto:claims@gotoeurostyle.com)

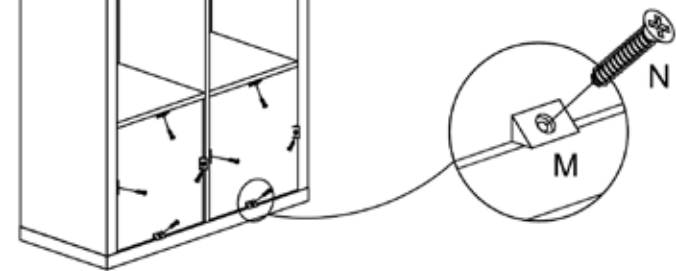
8



9



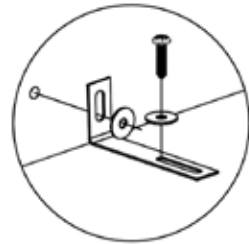
10



During assembly, hand tighten screws only. When all screws are in place, then tighten completely.

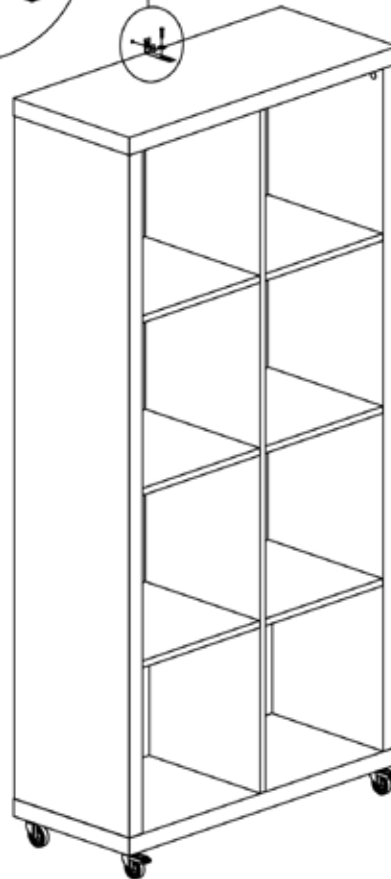
PLEASE NOTE: Check that you have received all components and hardware before assembling. If you are missing any parts fax Euro Style at 415.455.8033 or email: [claims@gotoeurostyle.com](mailto:claims@gotoeurostyle.com)

# 11



Keep the anti-tipping hardware centered.

It is necessary to identify the type of wall that you will fix the product to in order to get the appropriate fasteners to attach it to the wall. If needed, please contact a specialist for advice.



During assembly, hand tighten screws only. When all screws are in place, then tighten completely.