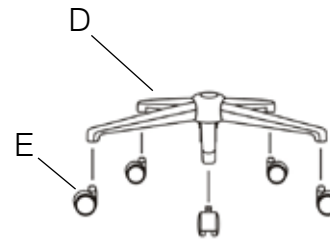


Assembly Instructions SABATI Office Chair

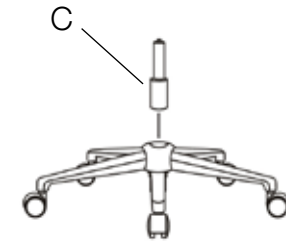
PLEASE NOTE: Check that you have received all components and hardware before assembling.
If you are missing any parts fax Euro Style at 415.455.8033 or email: claims@gotoeurostyle.com



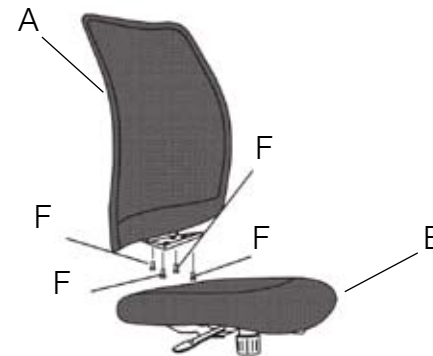
1



2



3



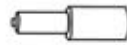
4



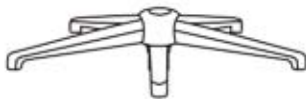
A (1 pc)



B (1 pc)



C (1 pc)



D (1 pc)



E (5 pcs)



F (4 pcs)
Ø12 x 35mm



G (1 pc)
80mm