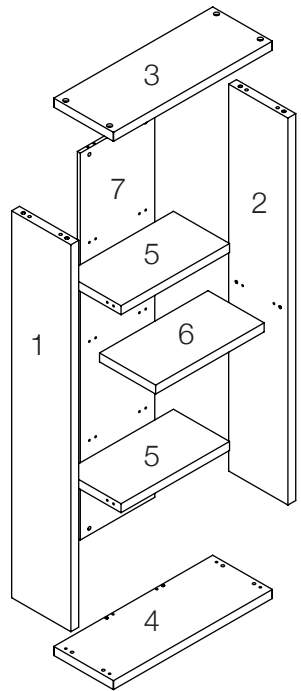
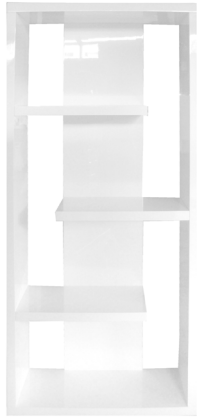

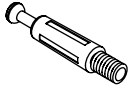

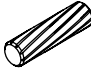

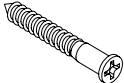


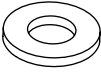



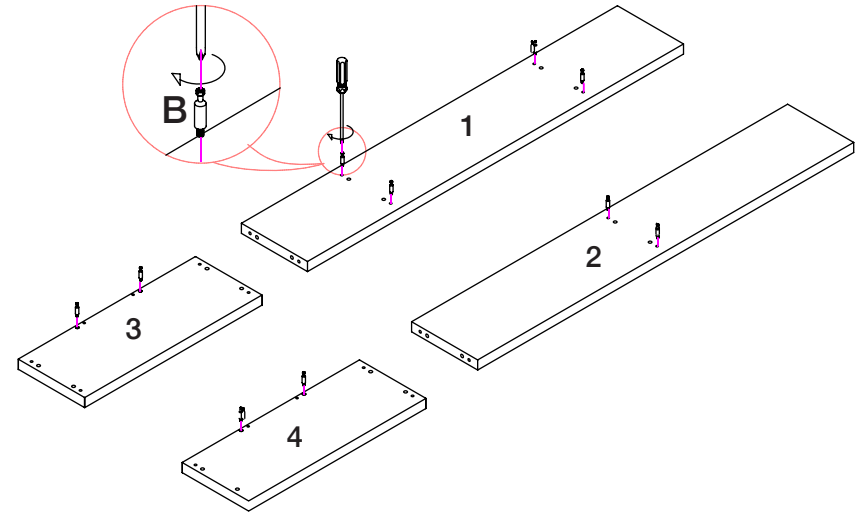
Robyn Shelving Unit



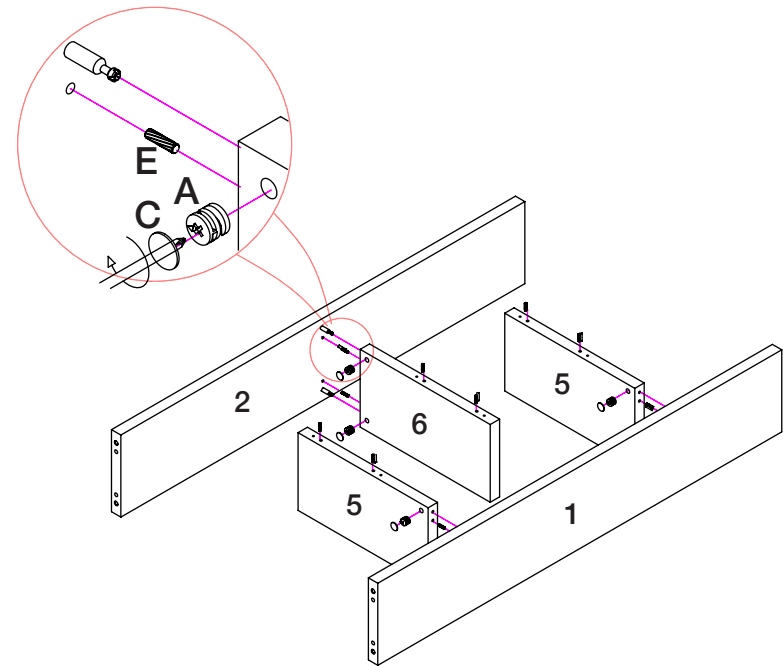
- | | | |
|---|---|--|
|  |  |  |
| A (10 pcs) | B (10 pcs) | C (10 pcs) |
|  |  |  |
| D (8 pcs) | E (16 pcs) | F (6 pcs) |
|  |  |  |
| G (8 pcs) | H (1 pc) | I (8 pcs) |
|  | | |
| J (4 pcs) | | |

During assembly, hand tighten screws only. When all screws are in place, then tighten completely.

1



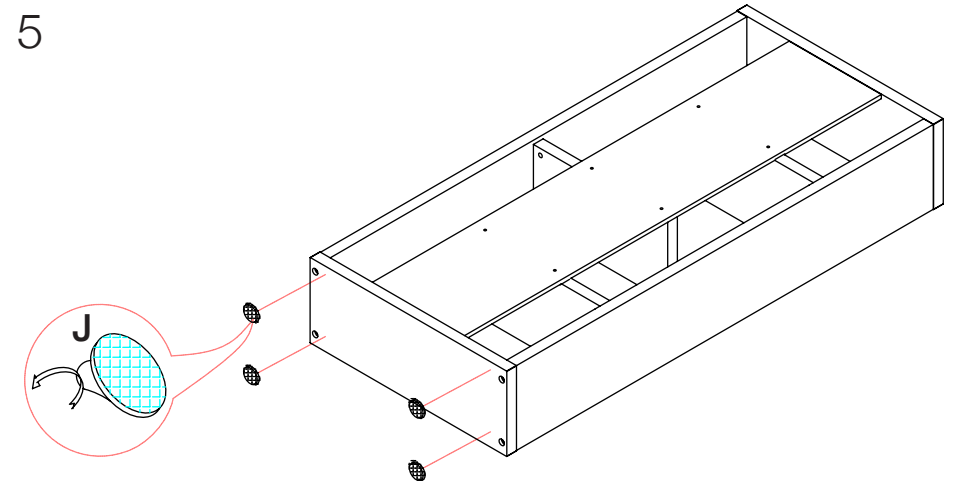
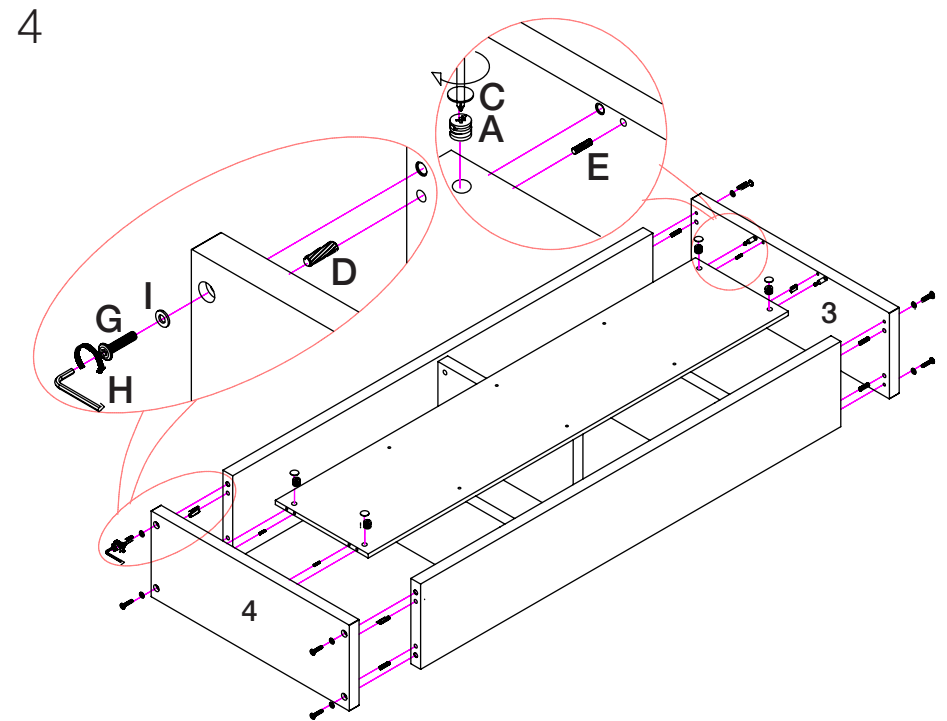
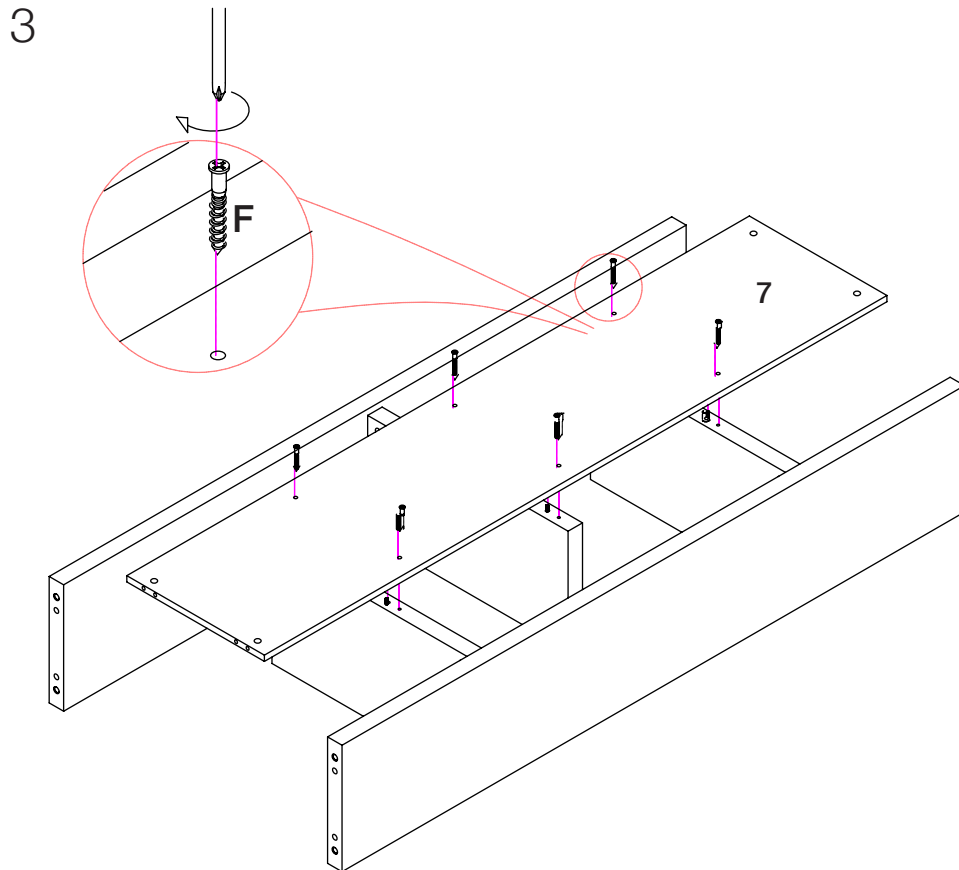
2



PLEASE NOTE: Check that you have received all components and hardware before assembling. If you are missing any parts, contact your retailer, or fax Euro Style at 415.455.8033.

Robyn Shelving Unit

During assembly, hand tighten screws only. When all screws are in place, then tighten completely.



PLEASE NOTE: Check that you have received all components and hardware before assembling. If you are missing any parts, contact your retailer, or fax Euro Style at 415.455.8033.