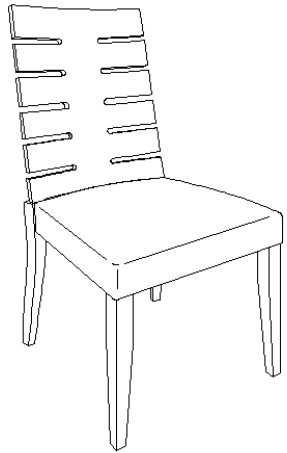


Assembly Instructions RINALDO Side Chair



A (2 pcs)
M6 x 40mm



E (10 pcs)



B (4 pcs)
M6 x 60mm



F (1 pc)



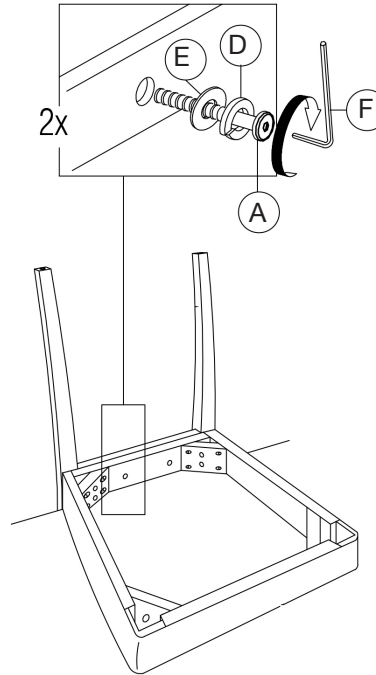
C (4 pcs)
M6 x 80mm



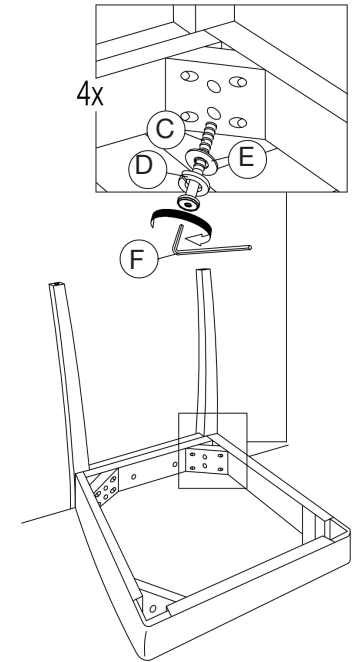
D (10 pcs)

PLEASE NOTE: Check that you have received all components and hardware before assembling. If you are missing any parts fax Euro Style at 415.455.8033 or email: claims@gotoeurostyle.com

1



2



3

