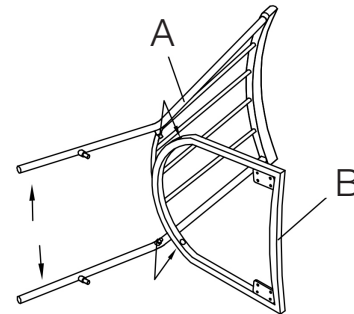


Assembly Instructions RHAXMA Side Chair

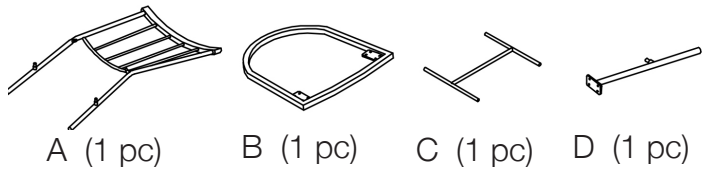
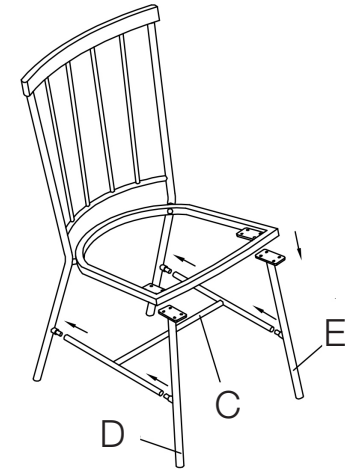
PLEASE NOTE: Check that you have received all components and hardware before assembling.
If you are missing any parts fax Euro Style at 415.455.8033 or email: claims@gotoeurostyle.com



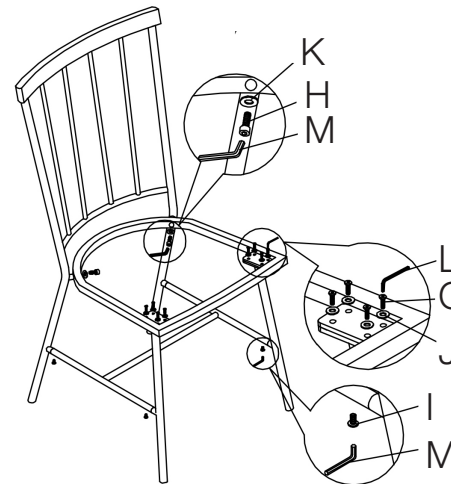
1



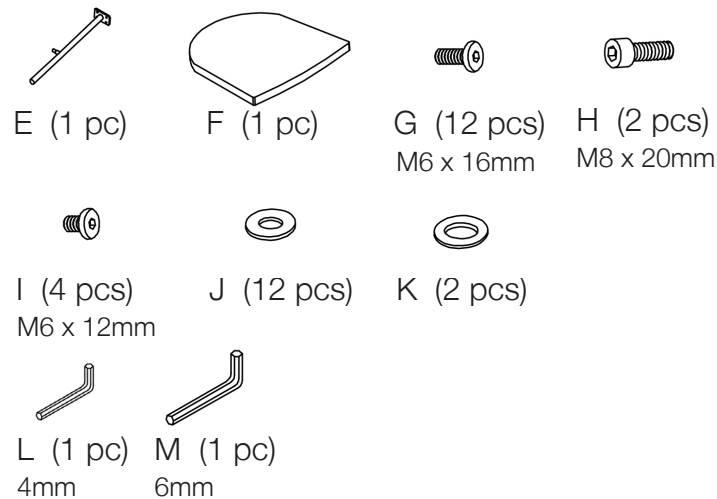
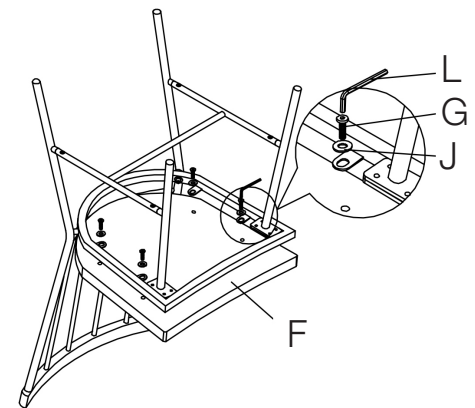
2



3



4



During assembly, hand tighten screw only. When the screw is in place, tighten completely.