

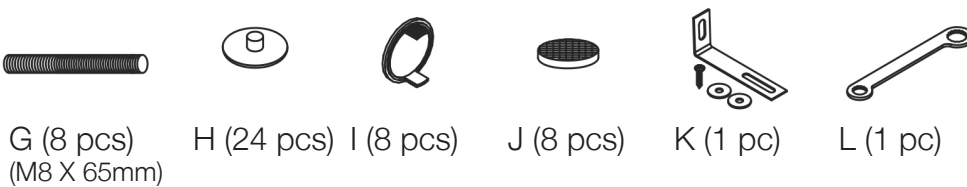
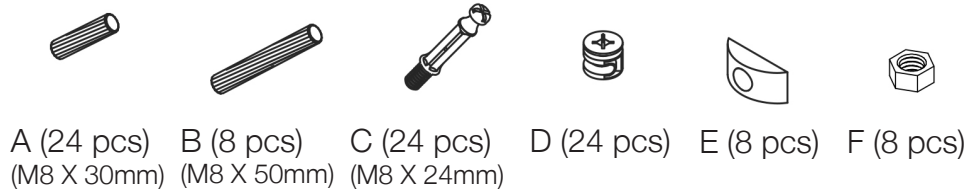
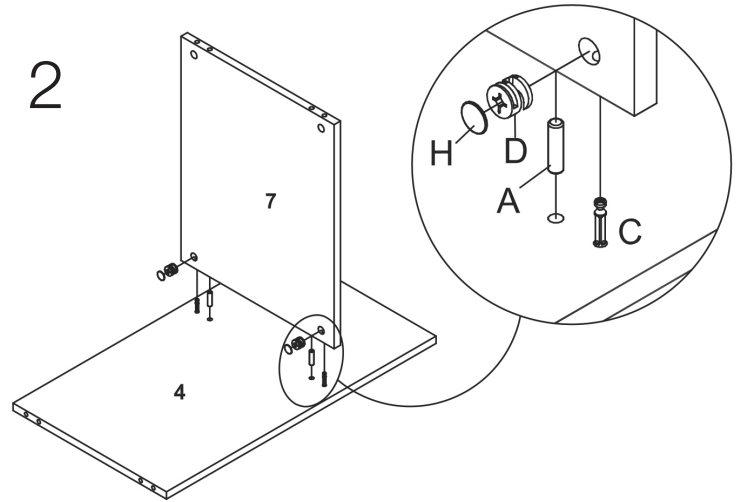
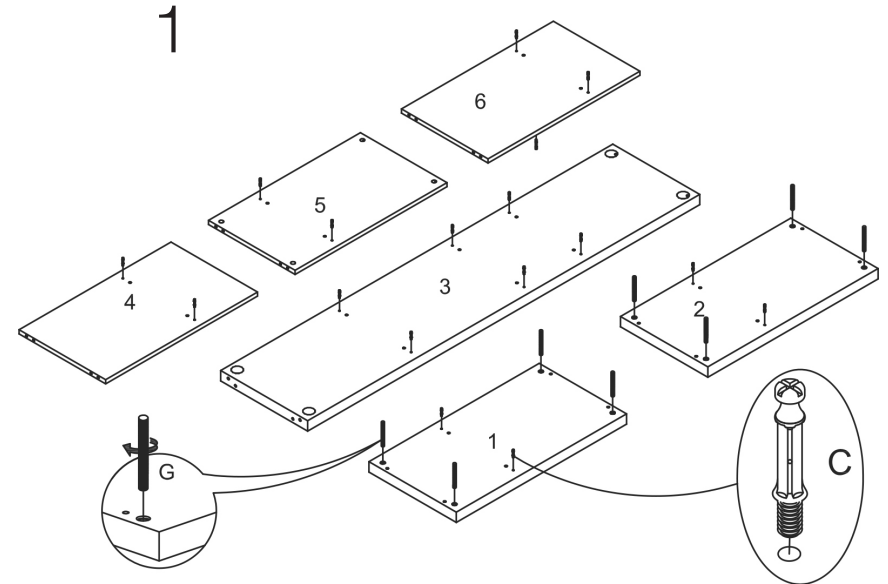
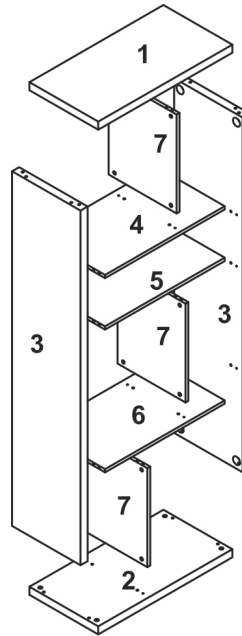
Assembly Instructions REID Shelving Unit (Page 1 of 4)



Option A (standing up) see page 3



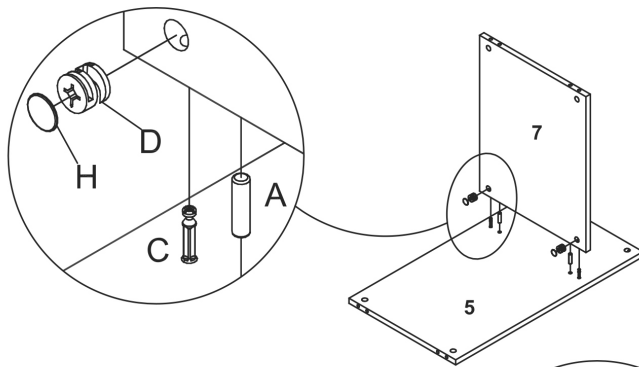
Option B (laying flat) see page 4



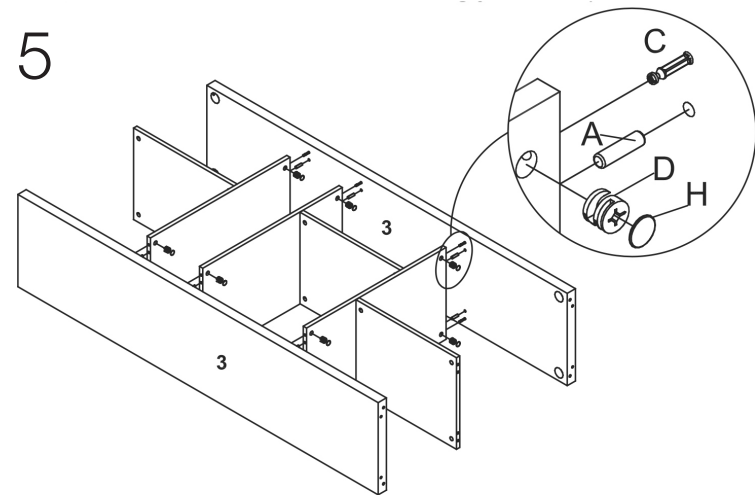
Assembly Instructions REID Shelving Unit (Page 2 of 4)

PLEASE NOTE: Check that you have received all components and hardware before assembling. If you are missing any parts fax Euro Style at 415.455.8033 or email: claims@gotoeurostyle.com

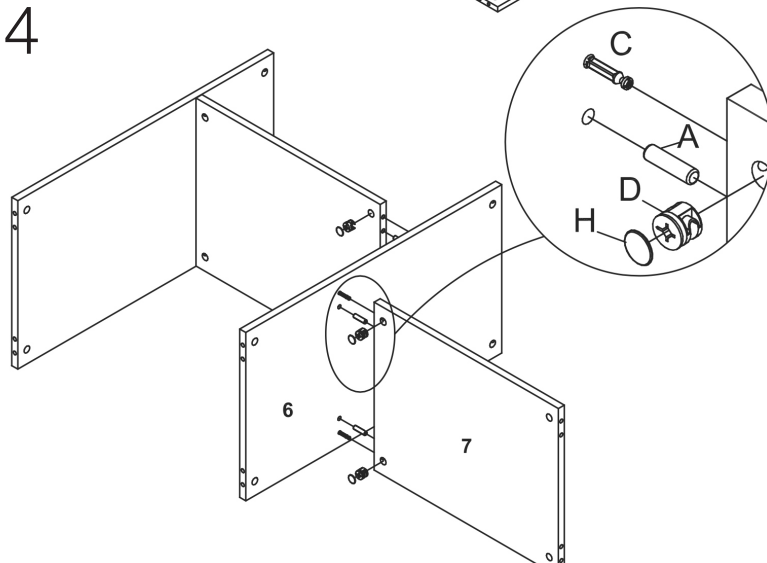
3



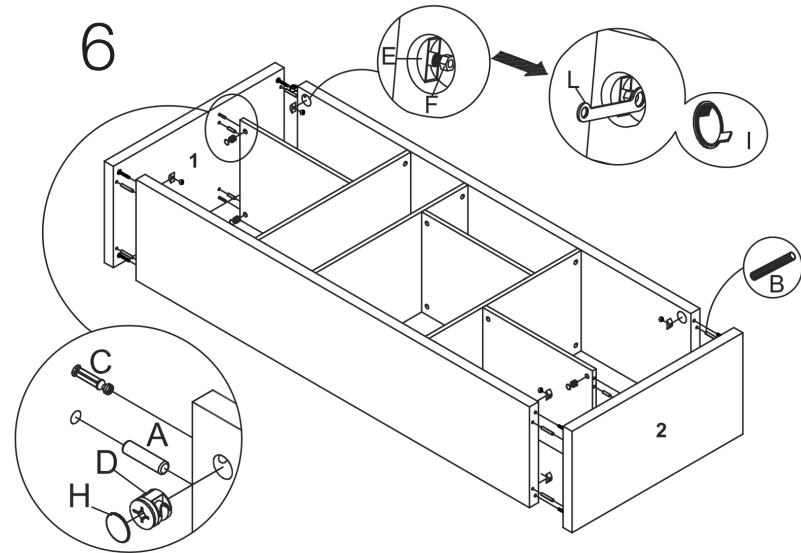
5



4



6



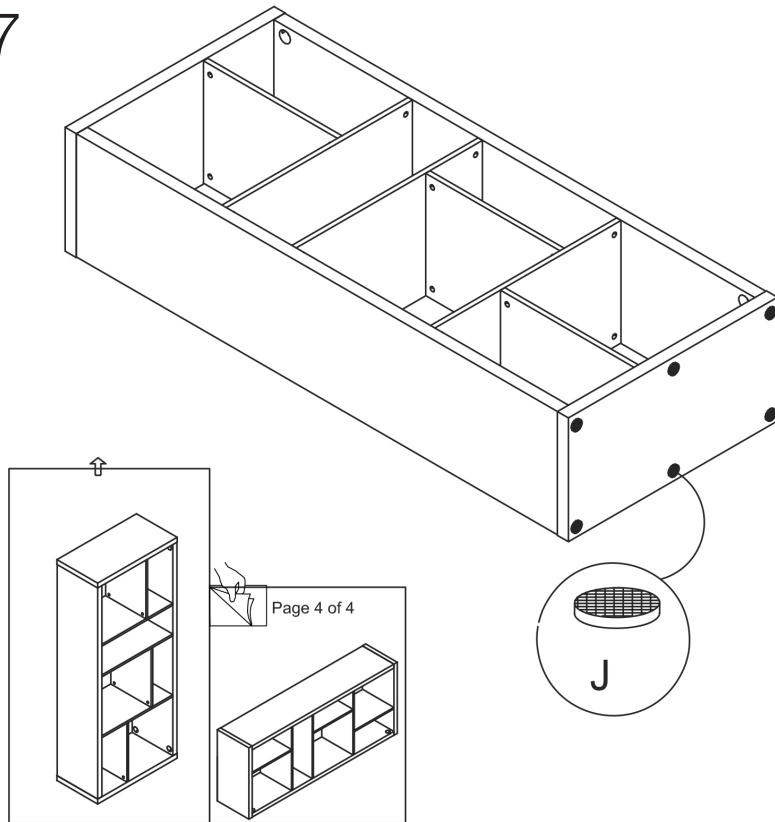
Assembly Instructions

REID Shelving Unit (Page 3 of 4)

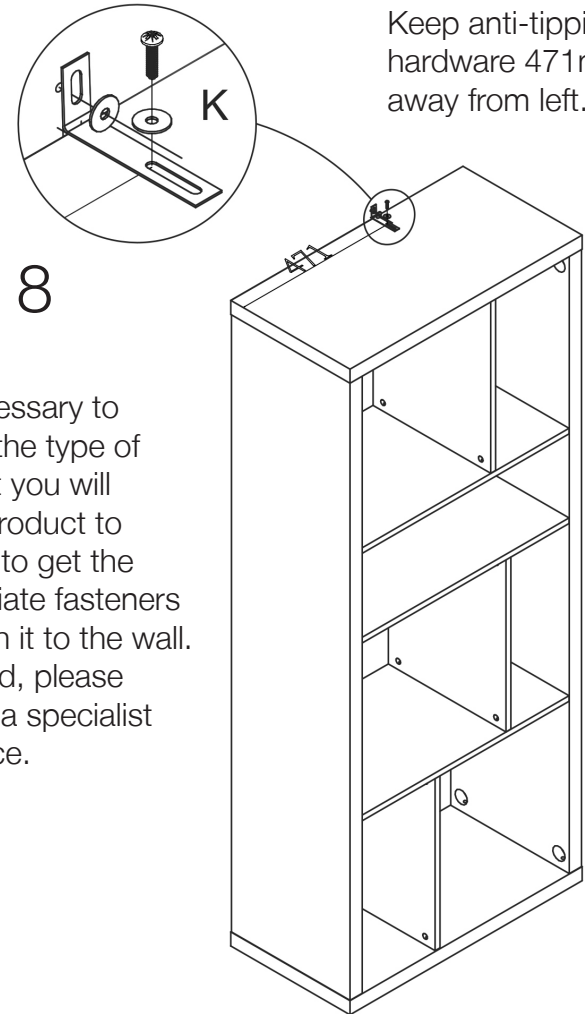
Option A (standing up)

PLEASE NOTE: Check that you have received all components and hardware before assembling. If you are missing any parts fax Euro Style at 415.455.8033 or email: claims@gotoeurostyle.com

7



8



It is necessary to identify the type of wall that you will fix the product to in order to get the appropriate fasteners to attach it to the wall. If needed, please contact a specialist for advice.

Assembly Instructions REID Shelving Unit (Page 4 of 4) *Option B (laying flat)*

PLEASE NOTE: Check that you have received all components and hardware before assembling. If you are missing any parts fax Euro Style at 415.455.8033 or email: claims@gotoeurostyle.com

