




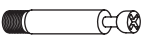




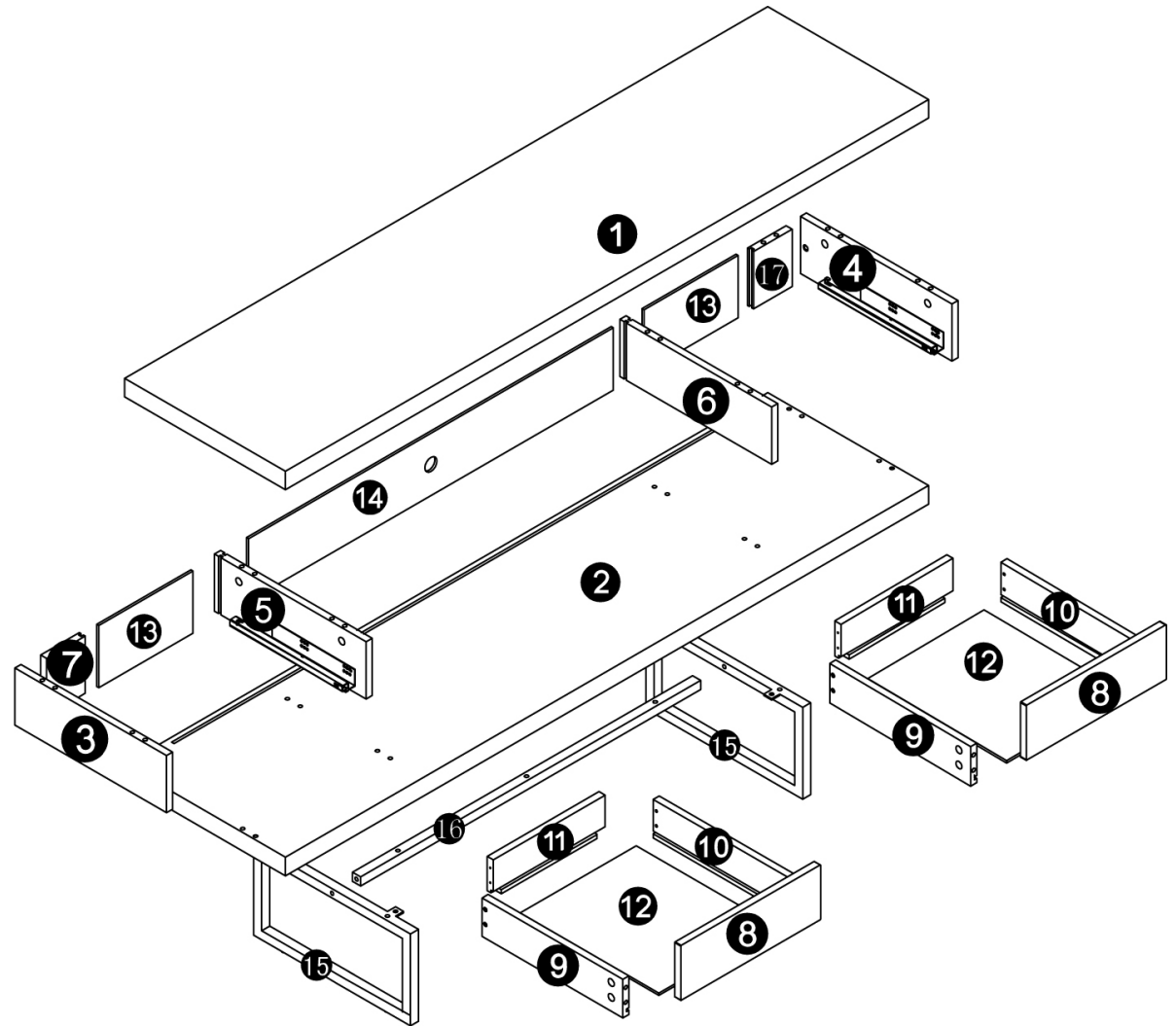


## Assembly Instructions MIRANDA Media Stand



PLEASE NOTE: Check that you have received all components and hardware before assembling. If you are missing any parts, contact your retailer, or fax Euro Style at 415.455.8033 or email: [claims@gotoeurostyle.com](mailto:claims@gotoeurostyle.com).





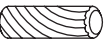
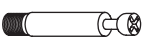




A (9 pcs)		M6 x 35mm
B (4 pcs)		M6 x 15mm
C (13 pcs)		M18 x 1mm
D (1 pc)		M4mm
E (20 pcs)		8 x 30mm
F (22 pcs)		6 x 40mm
G (22 pcs)		15 x 11mm
H (22 pcs)		20mm
I (8 pcs)		3.5 x 25mm
J (8 pcs)		6 x 60mm



During assembly, hand tighten screws only. When all screws are in place, then tighten completely.

## Assembly Instructions MIRANDA Media Stand

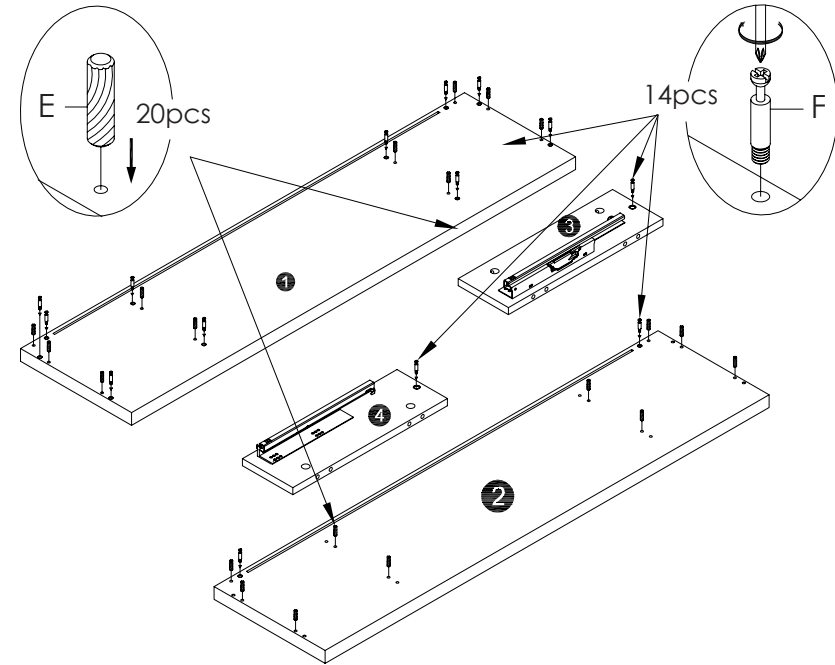


A (9 pcs)		M6 x 35mm
B (4 pcs)		M6 x 15mm
C (13 pcs)		M18 x 1mm
D (1 pc)		M4mm
E (20 pcs)		8 x 30mm
F (22 pcs)		6 x 40mm
G (22 pcs)		15 x 11mm
H (22 pcs)		20mm
I (8 pcs)		3.5 x 25mm
J (8 pcs)		6 x 60mm

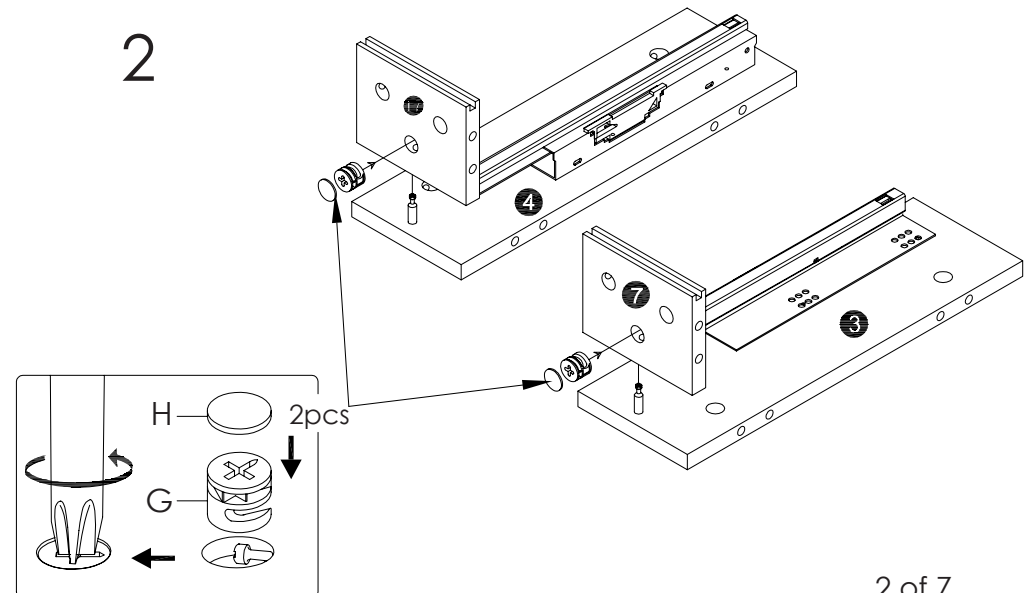
During assembly, hand tighten screws only. When all screws are in place, then tighten completely.

PLEASE NOTE: Check that you have received all components and hardware before assembling. If you are missing any parts, contact your retailer, or fax Euro Style at 415.455.8033 or email: [claims@gotoeurostyle.com](mailto:claims@gotoeurostyle.com).

1



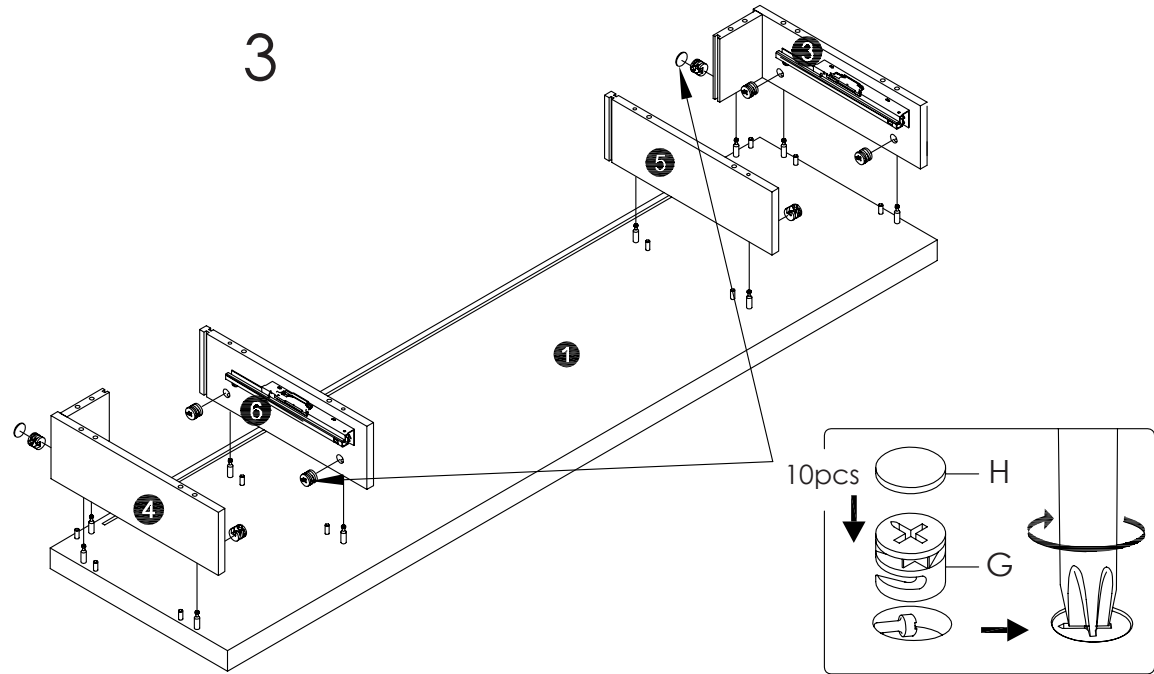
2



## Assembly Instructions MIRANDA Media Stand

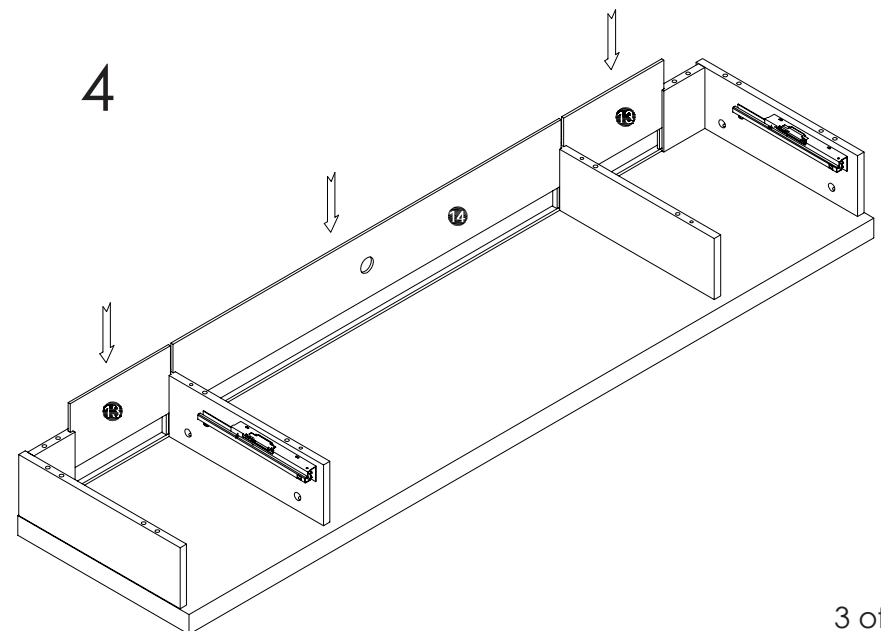


PLEASE NOTE: Check that you have received all components and hardware before assembling. If you are missing any parts, contact your retailer, or fax Euro Style at 415.455.8033 or email: [claims@gotoeurostyle.com](mailto:claims@gotoeurostyle.com).



- |            |  |            |
|------------|--|------------|
| A (9 pcs)  |  | M6 x 35mm  |
| B (4 pcs)  |  | M6 x 15mm  |
| C (13 pcs) |  | M18 x 1mm  |
| D (1 pc)   |  | M4mm       |
| E (20 pcs) |  | 8 x 30mm   |
| F (22 pcs) |  | 6 x 40mm   |
| G (22 pcs) |  | 15 x 11mm  |
| H (22 pcs) |  | 20mm       |
| I (8 pcs)  |  | 3.5 x 25mm |
| J (8 pcs)  |  | 6 x 60mm   |

During assembly, hand tighten screws only. When all screws are in place, then tighten completely.



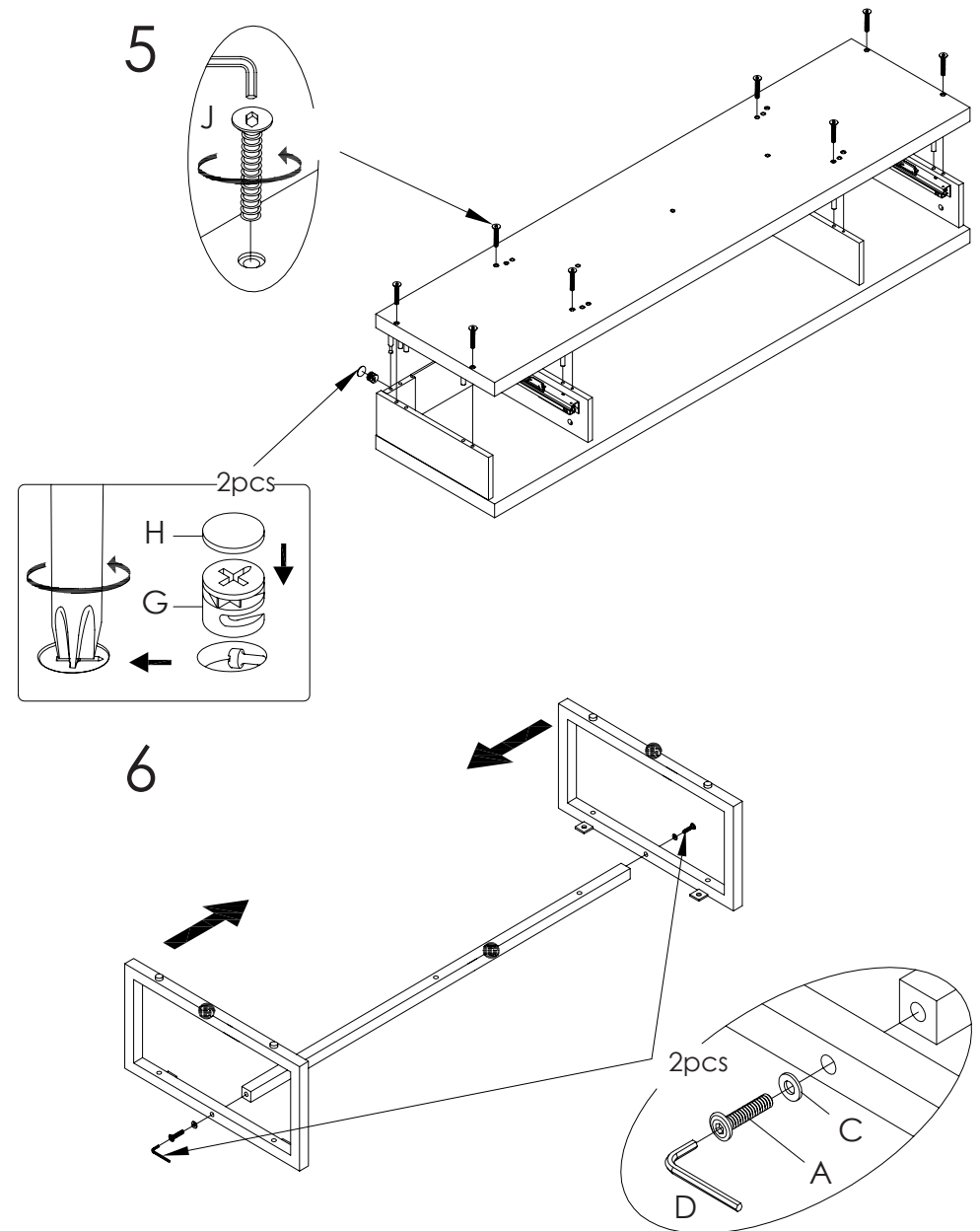
## Assembly Instructions MIRANDA Media Stand



PLEASE NOTE: Check that you have received all components and hardware before assembling. If you are missing any parts, contact your retailer, or fax Euro Style at 415.455.8033 or email: [claims@gotoeurostyle.com](mailto:claims@gotoeurostyle.com).

A (9 pcs)		M6 x 35mm
B (4 pcs)		M6 x 15mm
C (13 pcs)		M18 x 1mm
D (1 pc)		M4mm
E (20 pcs)		8 x 30mm
F (22 pcs)		6 x 40mm
G (22 pcs)		15 x 11mm
H (22 pcs)		20mm
I (8 pcs)		3.5 x 25mm
J (8 pcs)		6 x 60mm

During assembly, hand tighten screws only. When all screws are in place, then tighten completely.



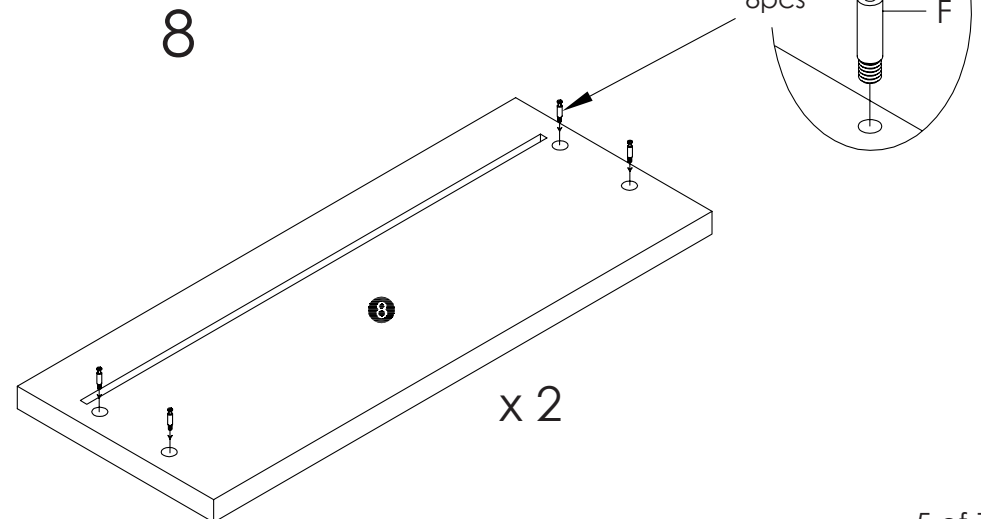
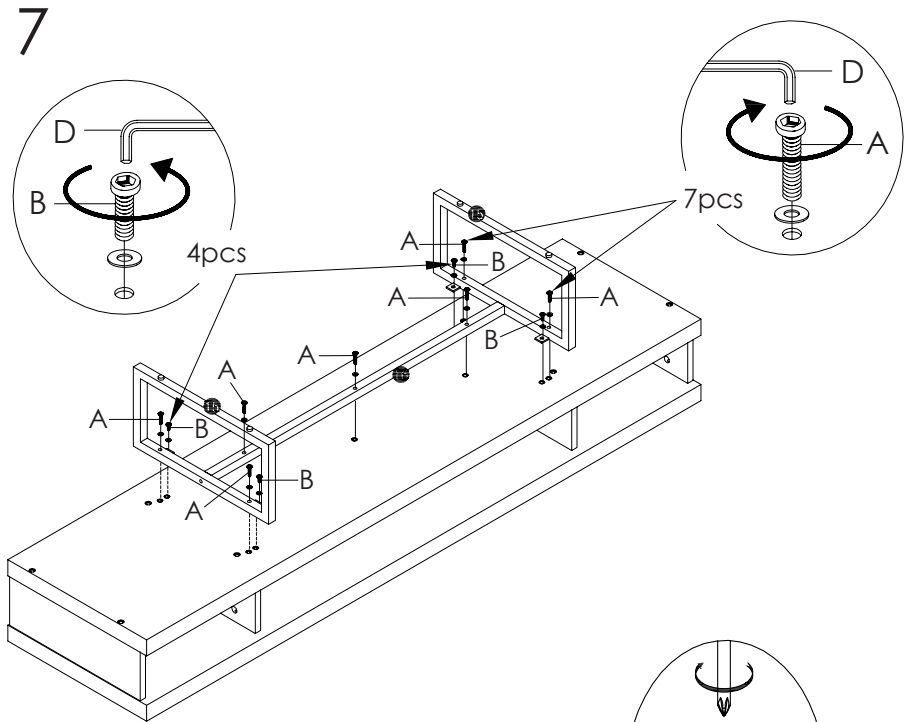
## Assembly Instructions MIRANDA Media Stand



A (9 pcs)		M6 x 35mm
B (4 pcs)		M6 x 15mm
C (13 pcs)		M18 x 1mm
D (1 pc)		M4mm
E (20 pcs)		8 x 30mm
F (22 pcs)		6 x 40mm
G (22 pcs)		15 x 11mm
H (22 pcs)		20mm
I (8 pcs)		3.5 x 25mm
J (8 pcs)		6 x 60mm

During assembly, hand tighten screws only. When all screws are in place, then tighten completely.





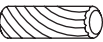
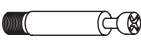




PLEASE NOTE: Check that you have received all components and hardware before assembling. If you are missing any parts, contact your retailer, or fax Euro Style at 415.455.8033 or email: [claims@gotoeurostyle.com](mailto:claims@gotoeurostyle.com).



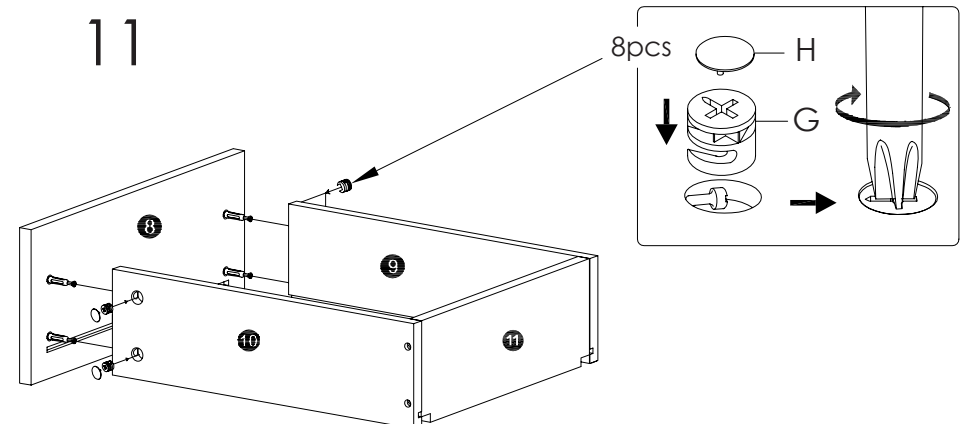
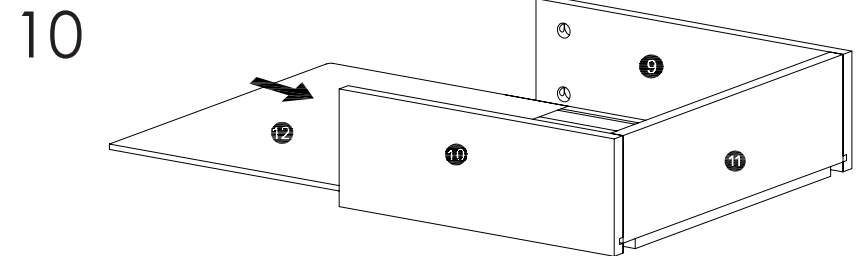
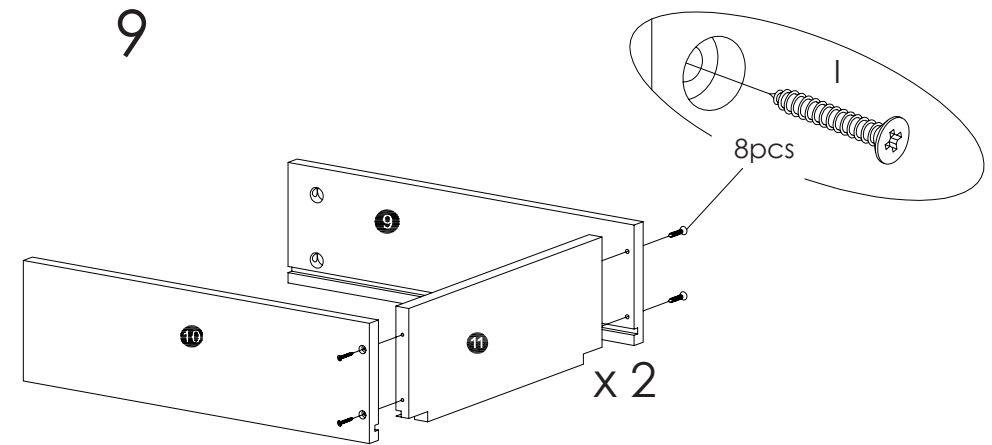
## Assembly Instructions MIRANDA Media Stand



PLEASE NOTE: Check that you have received all components and hardware before assembling. If you are missing any parts, contact your retailer, or fax Euro Style at 415.455.8033 or email: [claims@gotoeurostyle.com](mailto:claims@gotoeurostyle.com).

A (9 pcs)		M6 x 35mm
B (4 pcs)		M6 x 15mm
C (13 pcs)		M18 x 1mm
D (1 pc)		M4mm
E (20 pcs)		8 x 30mm
F (22 pcs)		6 x 40mm
G (22 pcs)		15 x 11mm
H (22 pcs)		20mm
I (8 pcs)		3.5 x 25mm
J (8 pcs)		6 x 60mm

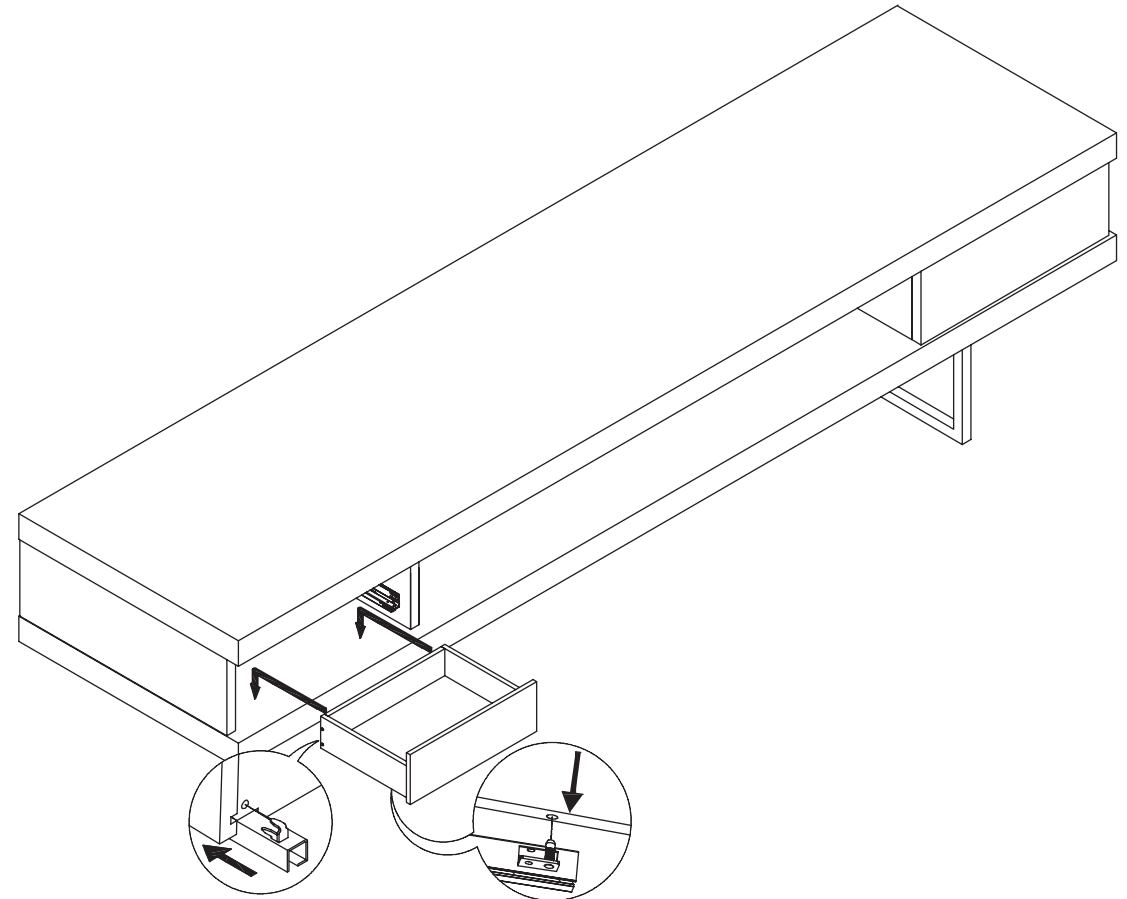
During assembly, hand tighten screws only. When all screws are in place, then tighten completely.






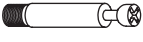


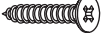



## Assembly Instructions MIRANDA Media Stand

PLEASE NOTE: Check that you have received all components and hardware before assembling. If you are missing any parts, contact your retailer, or fax Euro Style at 415.455.8033 or email: [claims@gotoeurostyle.com](mailto:claims@gotoeurostyle.com).

# 12



- |            |   |            |
|------------|---|------------|
| A (9 pcs)  |    | M6 x 35mm  |
| B (4 pcs)  |    | M6 x 15mm  |
| C (13 pcs) |    | M18 x 1mm  |
| D (1 pc)   |    | M4mm       |
| E (20 pcs) |  | 8 x 30mm   |
| F (22 pcs) |  | 6 x 40mm   |
| G (22 pcs) |  | 15 x 11mm  |
| H (22 pcs) |  | 20mm       |
| I (8 pcs)  |  | 3.5 x 25mm |
| J (8 pcs)  |  | 6 x 60mm   |

During assembly, hand tighten screws only. When all screws are in place, then tighten completely.