

eurø style™

Assembly Instructions MASKA Visitor Chair



A (1 pc)



B (1 pc)



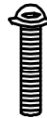
C (2 pcs)



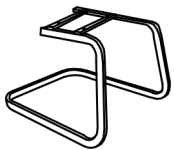
D (6 pcs)
M6 x 25MM



E (2 pcs)
M6 x 20MM



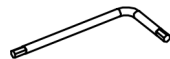
F (4 pcs)
M6 x 40MM



G (1 pc)



H (2 pcs)

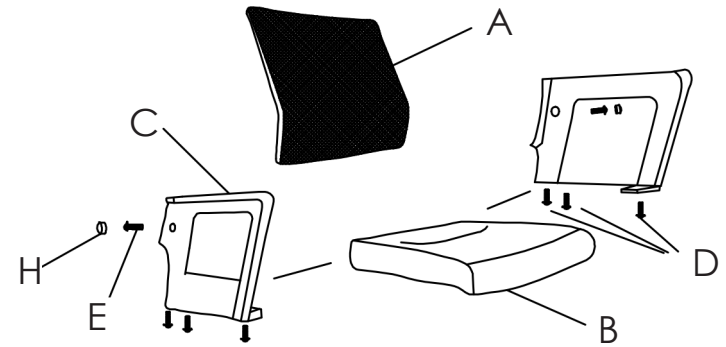


I (1 pc)
5MM

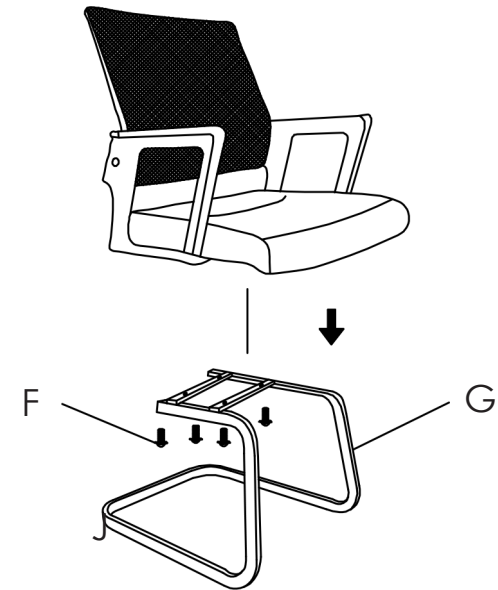
08.29.16 ar

PLEASE NOTE: Check that you have received all components and hardware before assembling. If you are missing any parts, contact your retailer, or fax Eurø Style at 415.455.8033 or email: cs@gotoeurostyle.com.

1



2



During assembly, hand tighten screws only. When the screws are in place, tighten completely.