

PLEASE NOTE: Check that you have received all components and hardware before assembling. If you are missing any parts fax Euro Style at 415.455.8033 or email: claims@gotoeurostyle.com



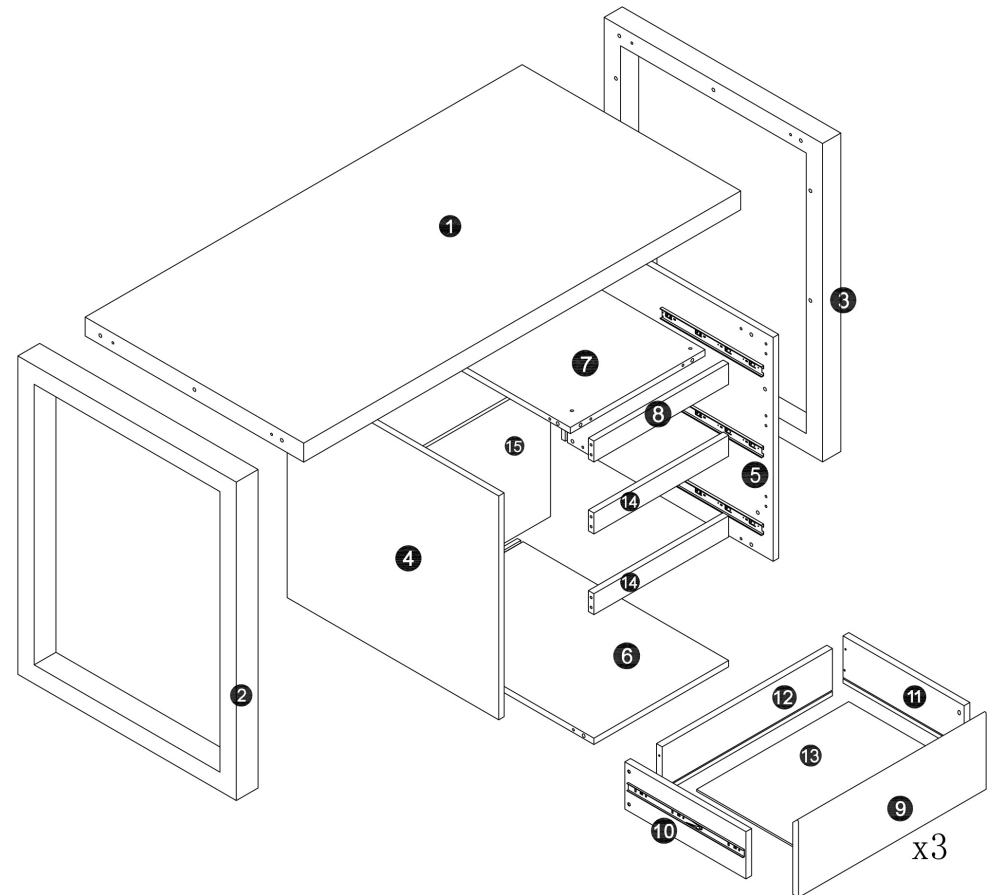
A (4 pcs) B (4 pcs) C (22 pcs) D (22 pcs) E (22 pcs) F (22 pcs)
(M2.5x15mm) (M8x30mm) (M7x40mm)



G (6 pcs) H (12 pcs) I (4 pcs) J (4 pcs) K (6 pcs) L (6 pcs)
(M4 x 30mm) (M10x50mm)

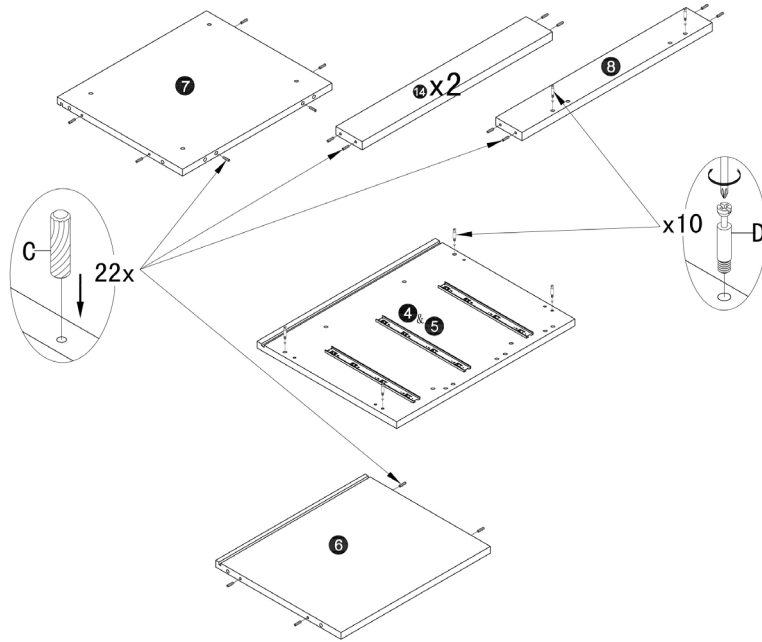


M (1 pc) N (6 pcs) O (1 pc) P (8 pcs)
(M8 x 85mm) (4mm) (M6 x 30mm)

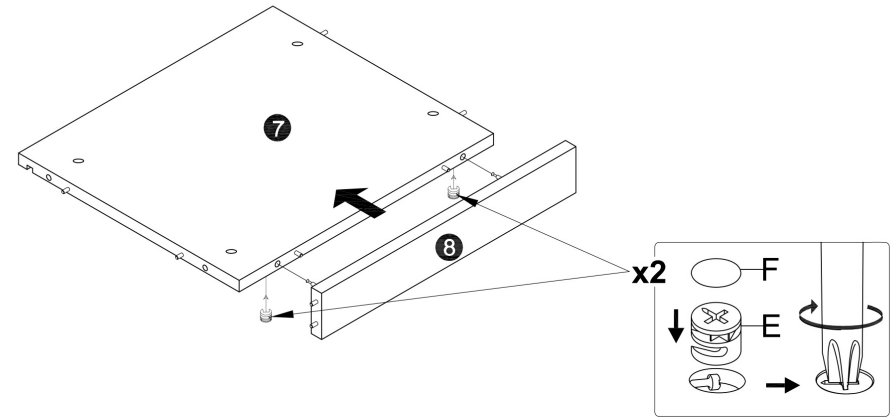


PLEASE NOTE: Check that you have received all components and hardware before assembling.
If you are missing any parts fax Euro Style at 415.455.8033 or email: claims@gotoeurostyle.com

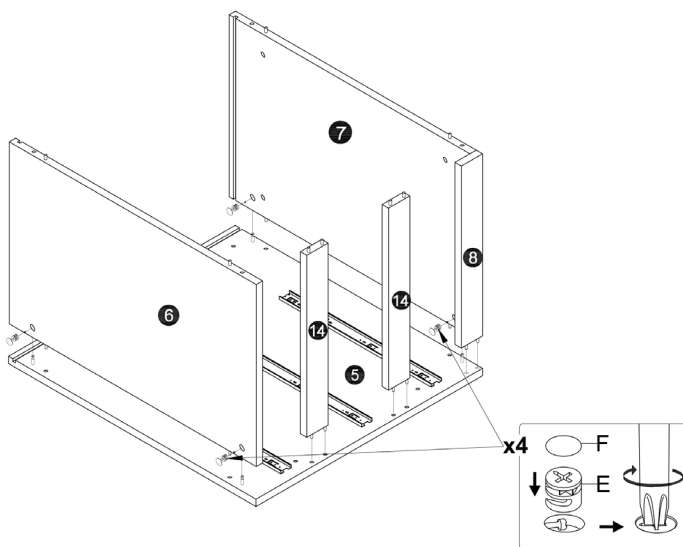
1



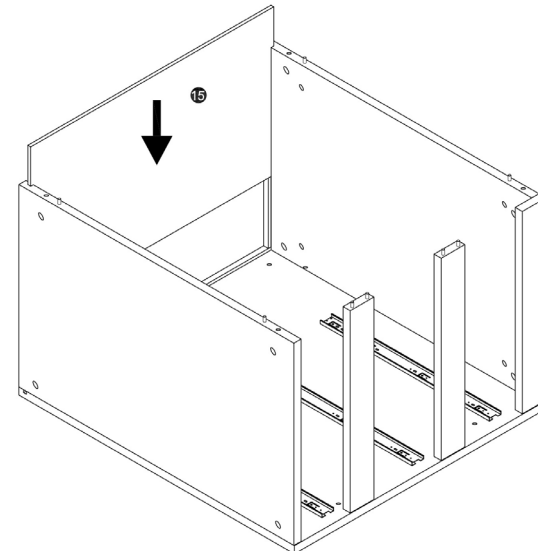
2



3



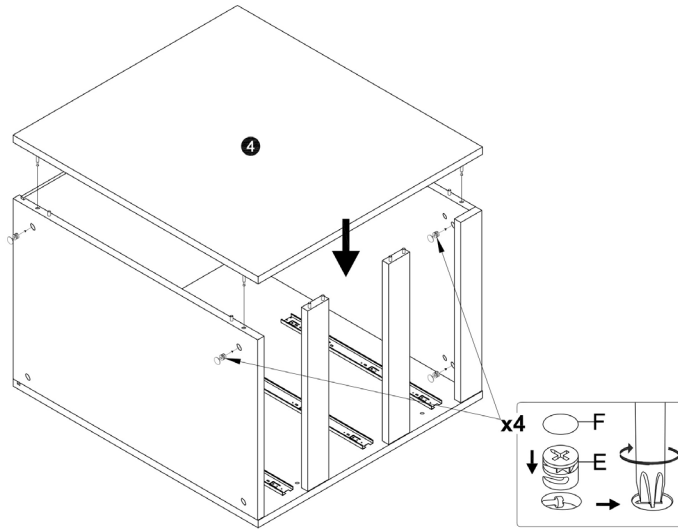
4



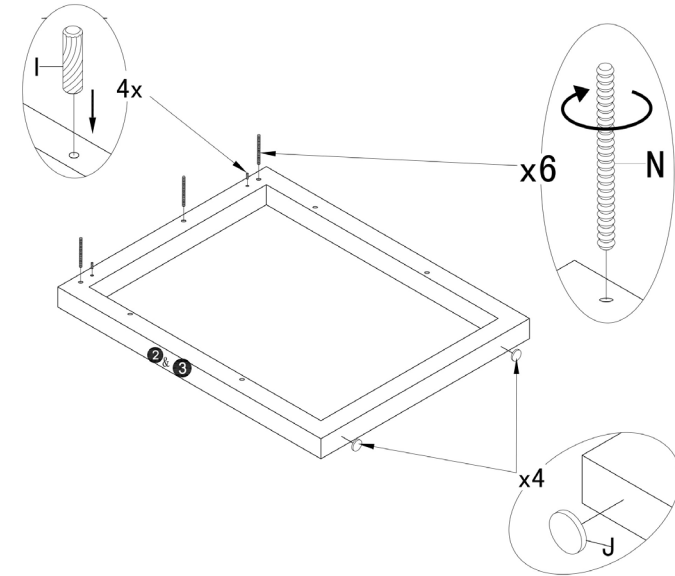
During assembly, hand tighten screws only. When the screws are in place, tighten completely.

PLEASE NOTE: Check that you have received all components and hardware before assembling.
If you are missing any parts fax Euro Style at 415.455.8033 or email: claims@gotoeurostyle.com

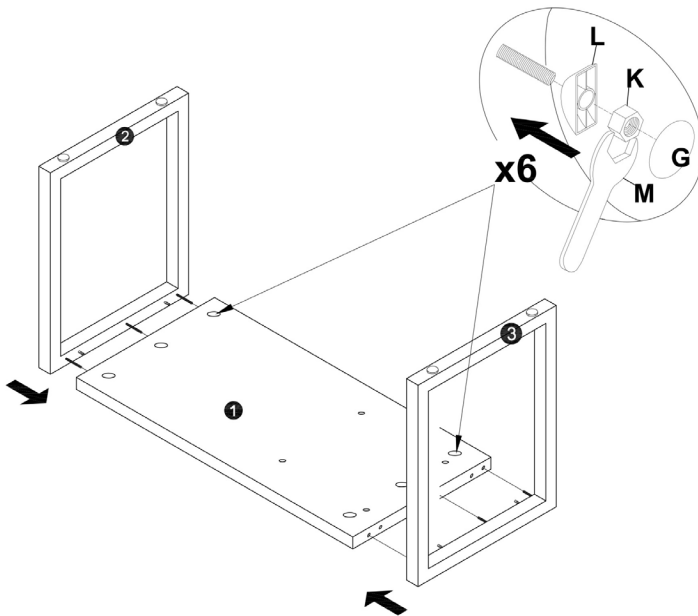
5



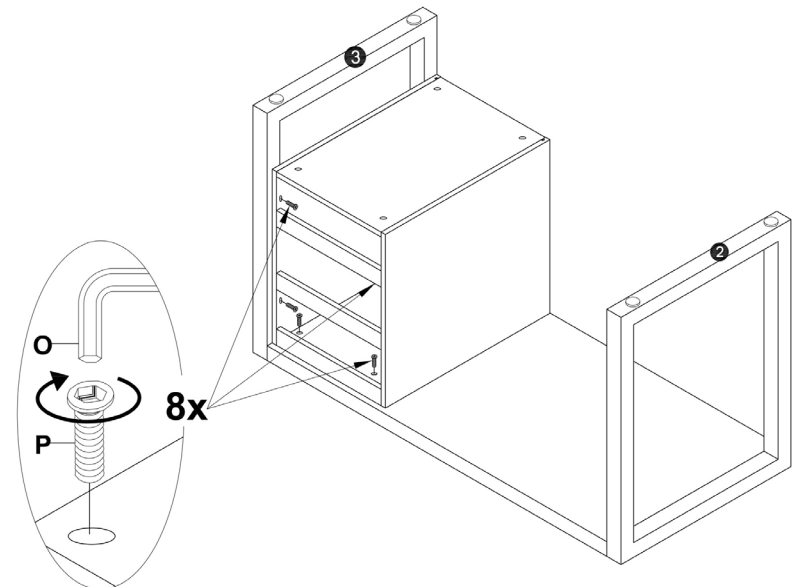
6



7



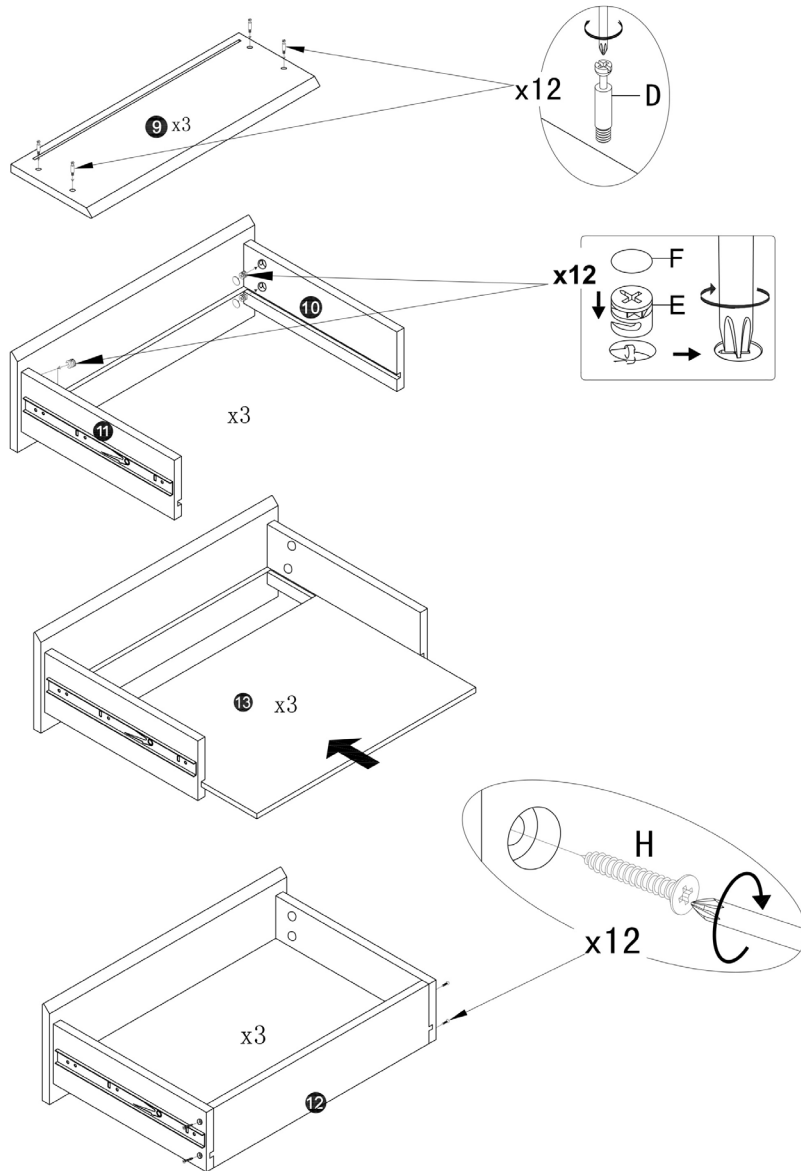
8



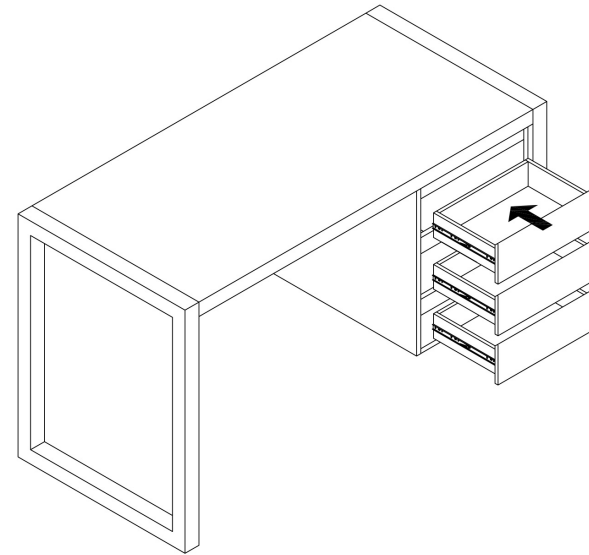
During assembly, hand tighten screws only. When the screws are in place, tighten completely.

PLEASE NOTE: Check that you have received all components and hardware before assembling. If you are missing any parts fax Euro Style at 415.455.8033 or email: claims@gotoeurostyle.com

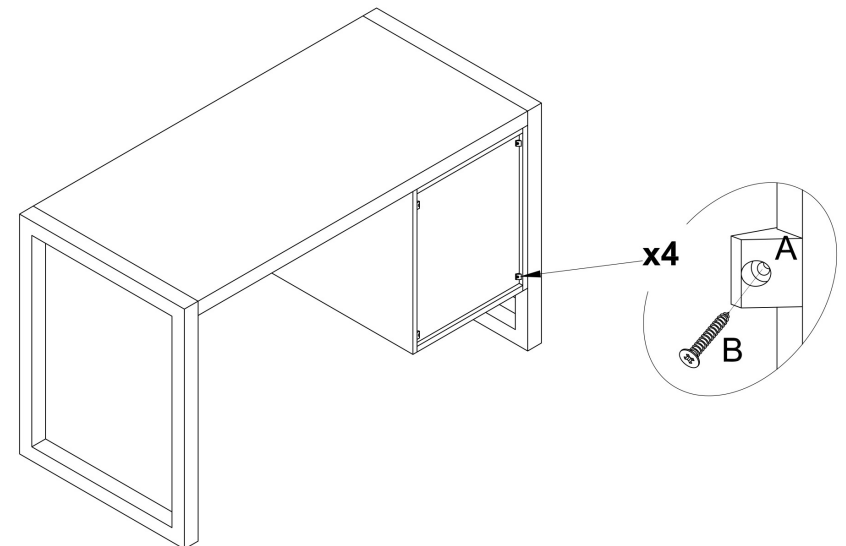
9



10



11



During assembly, hand tighten screws only. When the screws are in place, tighten completely.