

## Assembly Instructions

### Fridrika Dining Table



PLEASE NOTE: Check that you have received all components and hardware before assembling. If you are missing any parts, contact your retailer, or fax Euro Style at 415.455.8033.



A (1 pc)



B (3 pcs)



C (3 pcs)



D (1 pc)



E (3 pcs)



F (3 pcs)



G (3 pcs)



H (1 pc)



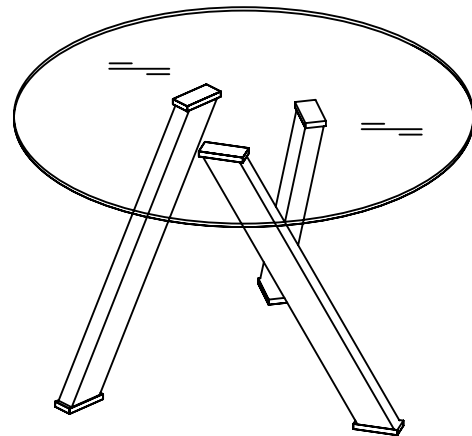
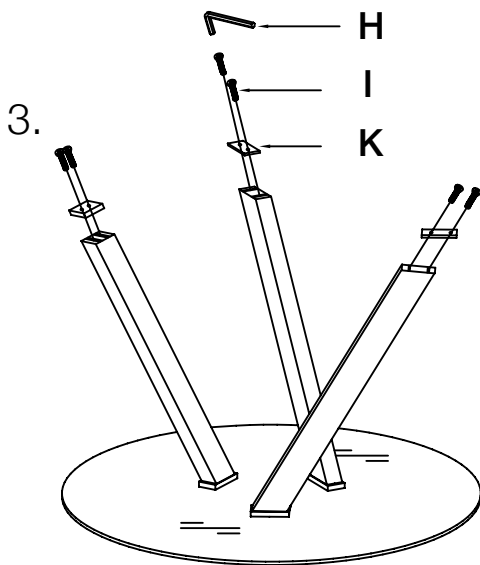
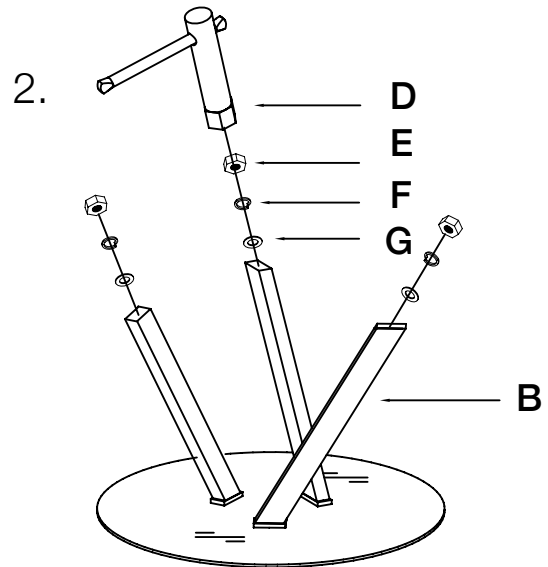
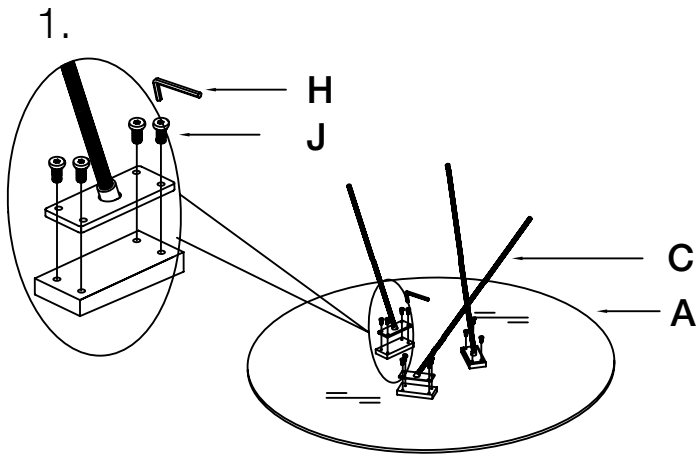
I (6 pcs)



J (12 pcs)



K (3 pcs)



During assembly, hand tighten screws only. When all screws are in place, then tighten completely.