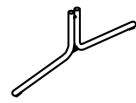
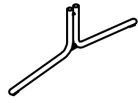
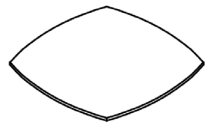
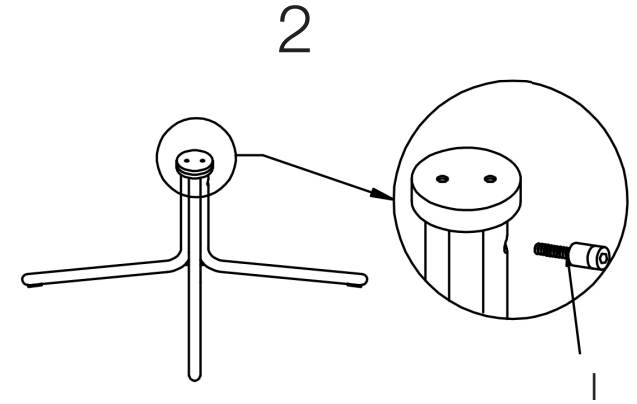
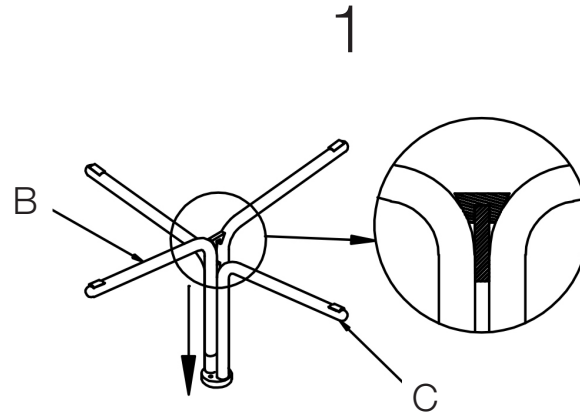


Assembly Instructions ERLING Side Table

PLEASE NOTE: Check that you have received all components and hardware before assembling.
If you are missing any parts fax Euro Style at 415.455.8033 or email: claims@gotoeurostyle.com



A (1 pc)

B (1 pc)

C (1 pc)

3

4



D (1 pc)

E (4 pcs)
M8 x 12mm

F (4 pcs)
M6 x 30mm



G (4 pcs)

H (4 pcs)

I (1 pc)
M8 x 40mm



J (2 pcs)

