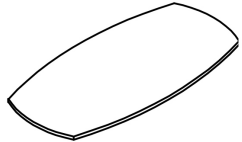
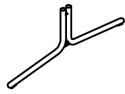


Assembly Instructions ERLING Bistro Table

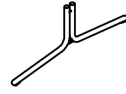
PLEASE NOTE: Check that you have received all components and hardware before assembling.
If you are missing any parts fax Euro Style at 415.455.8033 or email: claims@gotoeurostyle.com



A (1 pc)



B (1 pc)



C (1 pc)



D (1 pc)



E (4 pcs)
M8 x 12mm



F (4 pcs)
M6 x 30mm



G (4 pcs)



H (4 pcs)

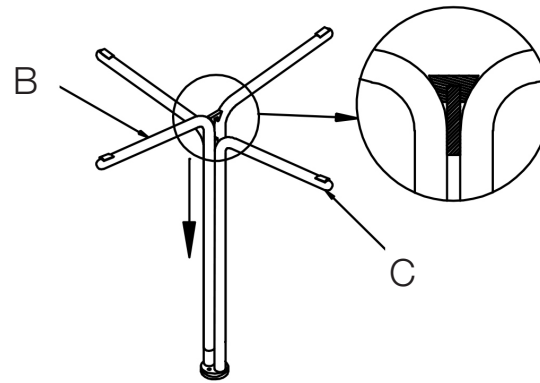


I (1 pc)
M8 x 40mm

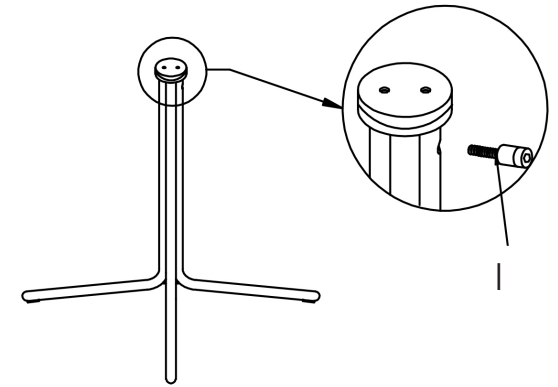


J (2 pcs)

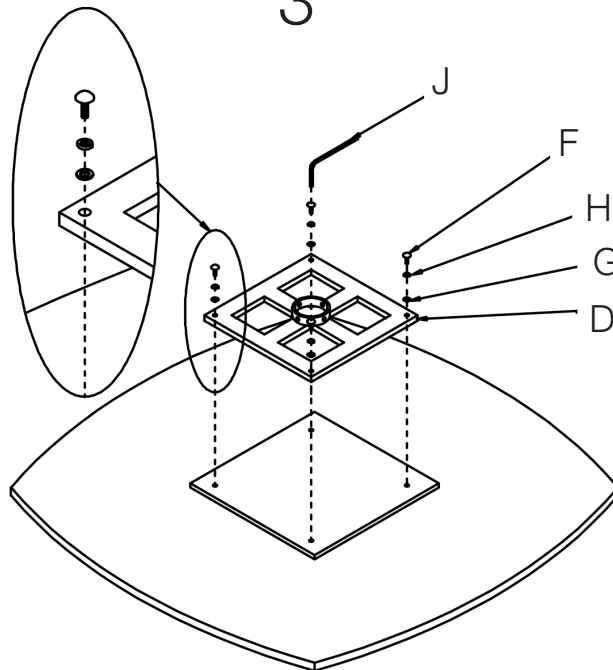
1



2



3



4

