

Assembly Instructions DRACO Side Chair



A (1 pc)



B (1 pc)



C (1 pc)



D (2 pcs)
M6 x 20mm

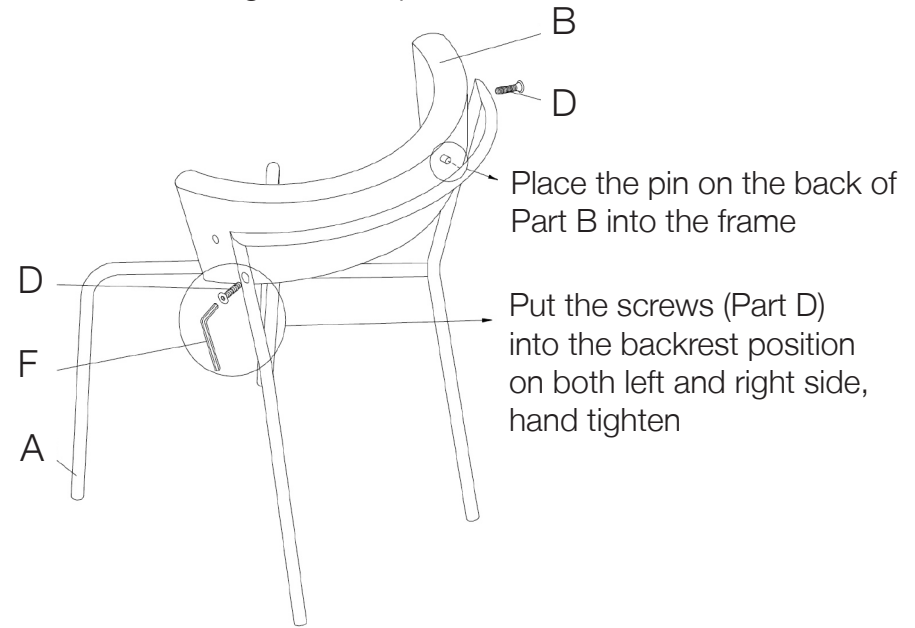


E (4 pcs)
M6 x 30mm



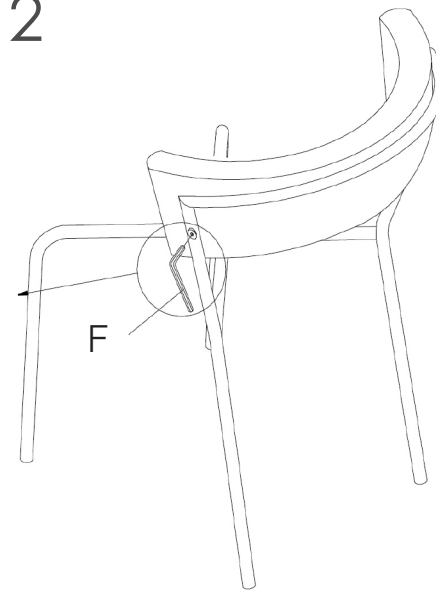
F (1 pc)
5mm

1

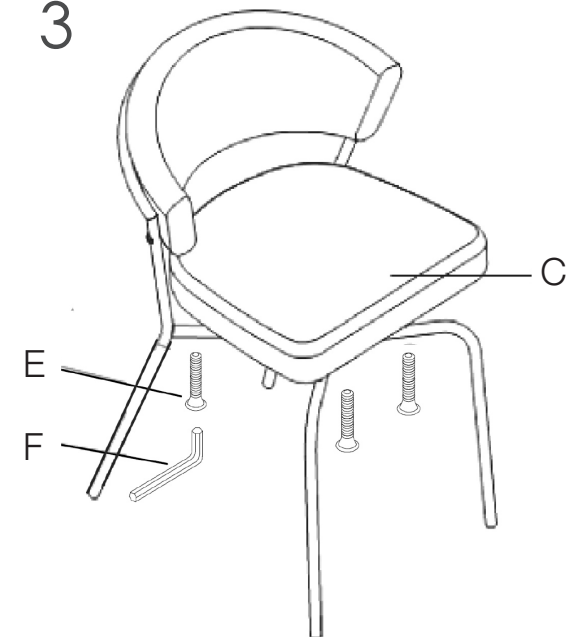


2

Tighten the screws (Part D) one at a time



3



During assembly, hand tighten screws only. When the screws are in place, tighten completely.