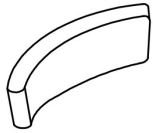


## Assembly Instructions DRACO Bar/Counter Stool



A (1 pc)



B (1 pc)



C (1 pc)



D (1 pc)



E (1 pc)



F (1 pc)



G (2 pcs)  
M6 x 25mm



H (4 pcs)  
M6 x 20mm



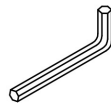
I (4 pcs)  
M6 x 12mm



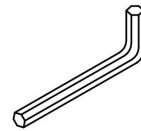
J (8 pcs)



K (3 pcs)  
M8 x 30mm

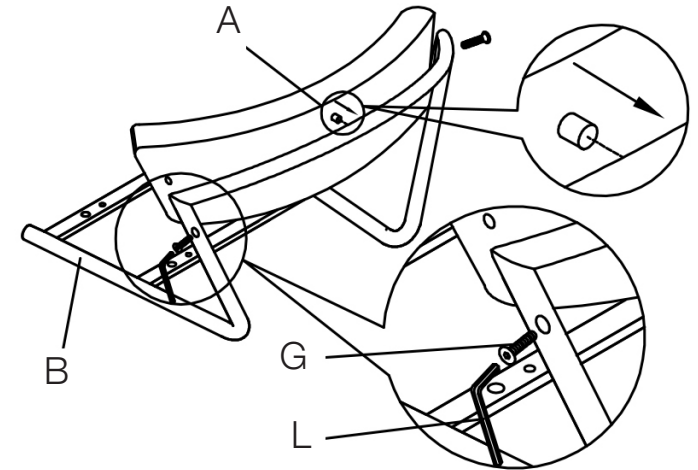


L (1 pc)  
4mm

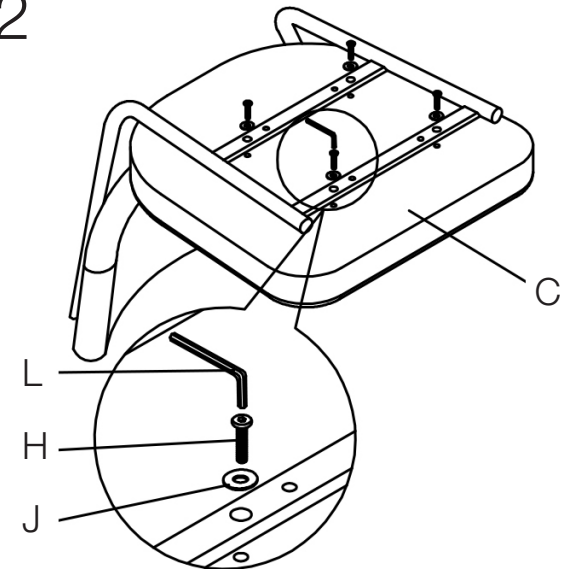


M (1 pc)  
5mm

1

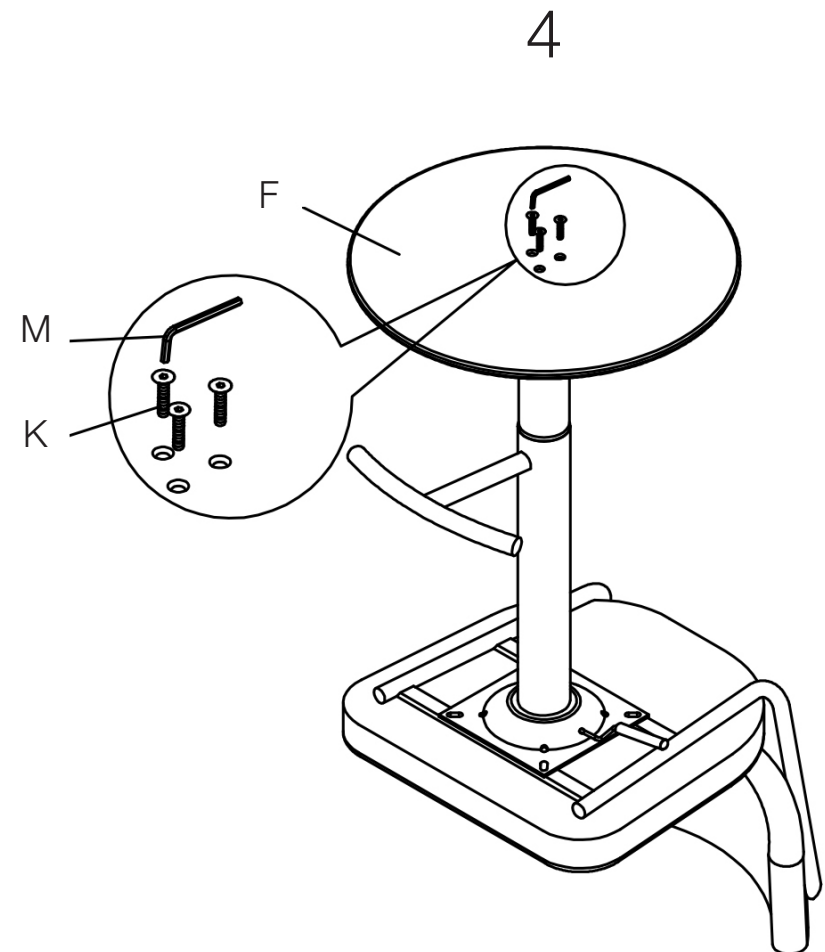
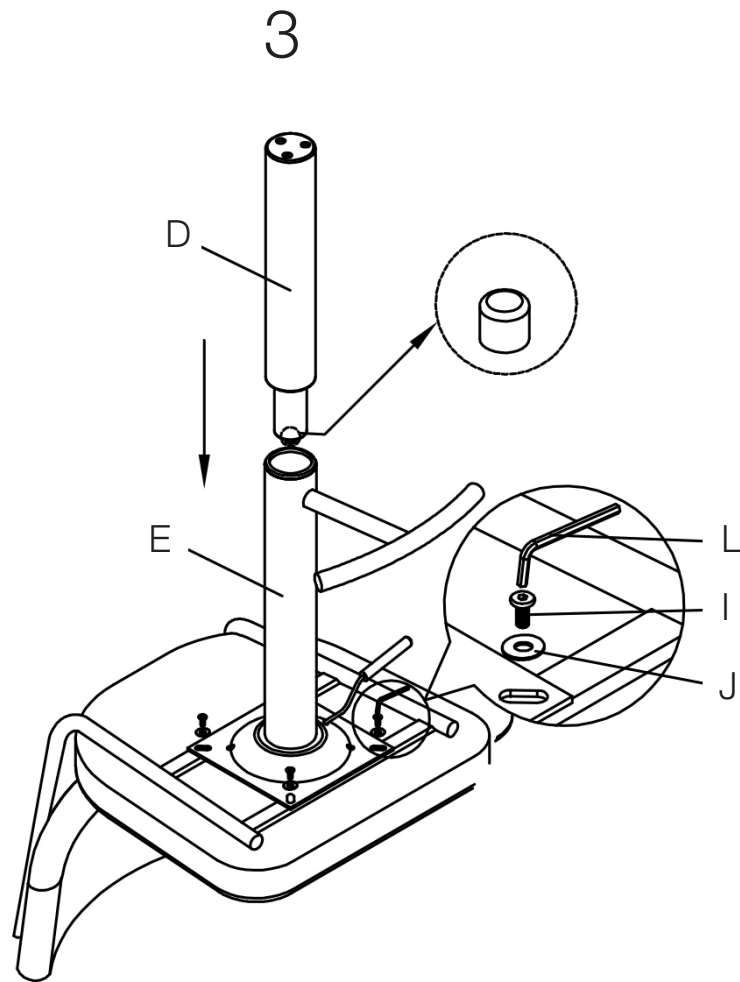


2



During assembly, hand tighten screws only. When the screws are in place, tighten completely.

PLEASE NOTE: Check that you have received all components and hardware before assembling.  
If you are missing any parts fax Euro Style at 415.455.8033 or email: [claims@gotoeurostyle.com](mailto:claims@gotoeurostyle.com)



During assembly, hand tighten screws only. When the screws are in place, tighten completely.