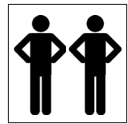
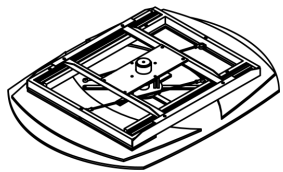


Assembly Instructions DOMINGO-71 Extension Table

PLEASE NOTE: Check that you have received all components and hardware before assembling. If you are missing any parts, contact your retailer, or fax Eurø Style at 415.455.8033 or email: cs@gotoeurostyle.com.



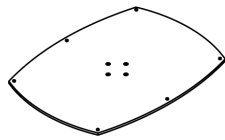
Assembly
Time
20 mins.



A (1 pc)



B (1 pc)



C (1 pc)



D (4 pcs)
M8 x 20MM



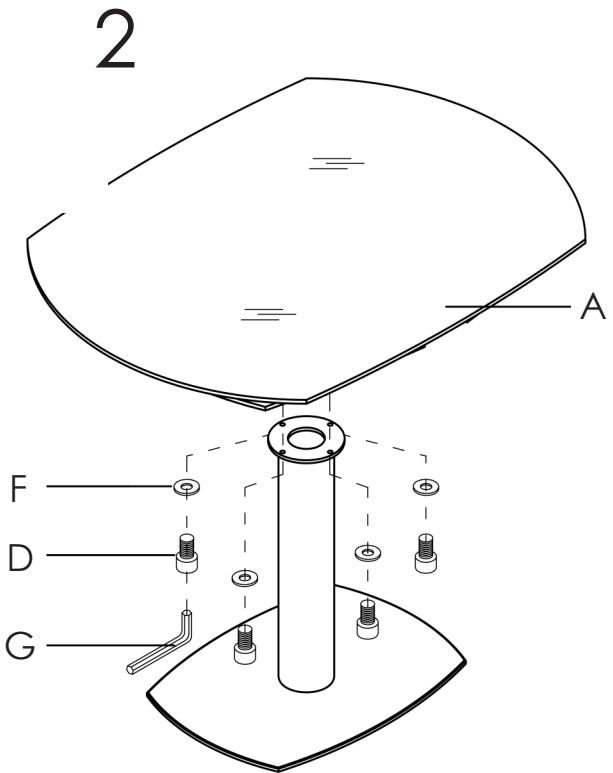
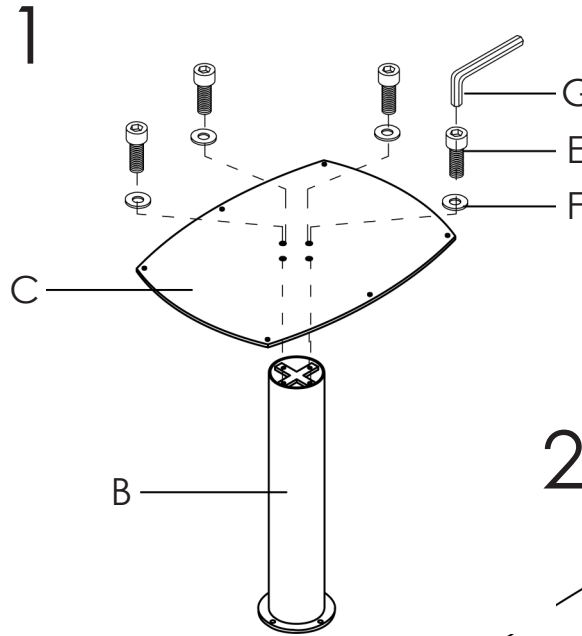
E (4 pcs)
M8 x 45MM



F (8 pcs)

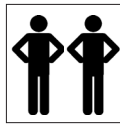


G (1 pc)
6MM

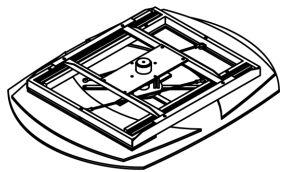


During assembly, hand tighten screws only. When the screws are in place, tighten completely.

Assembly Instructions DOMINGO-71 Extension Table



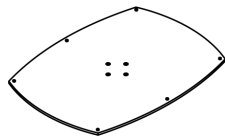
Assembly
Time
20 mins.



A (1 pc)



B (1 pc)



C (1 pc)



D (4 pcs)
M8 x 20MM



E (4 pcs)
M8 x 45MM



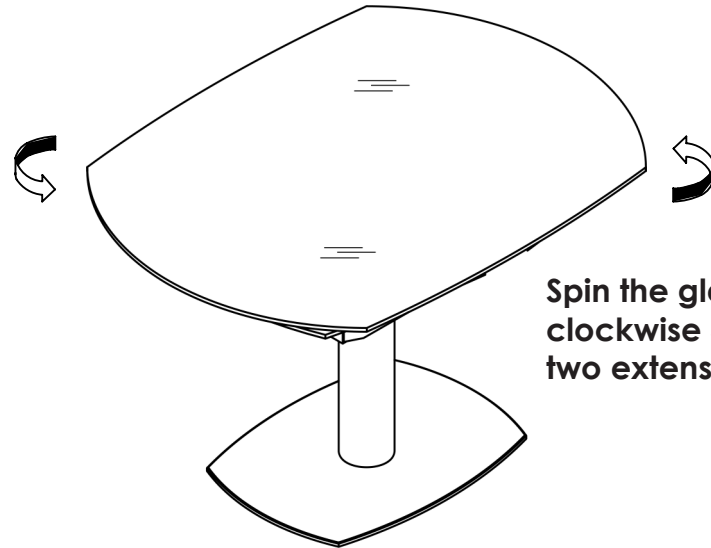
F (8 pcs)



G (1 pc)
6MM

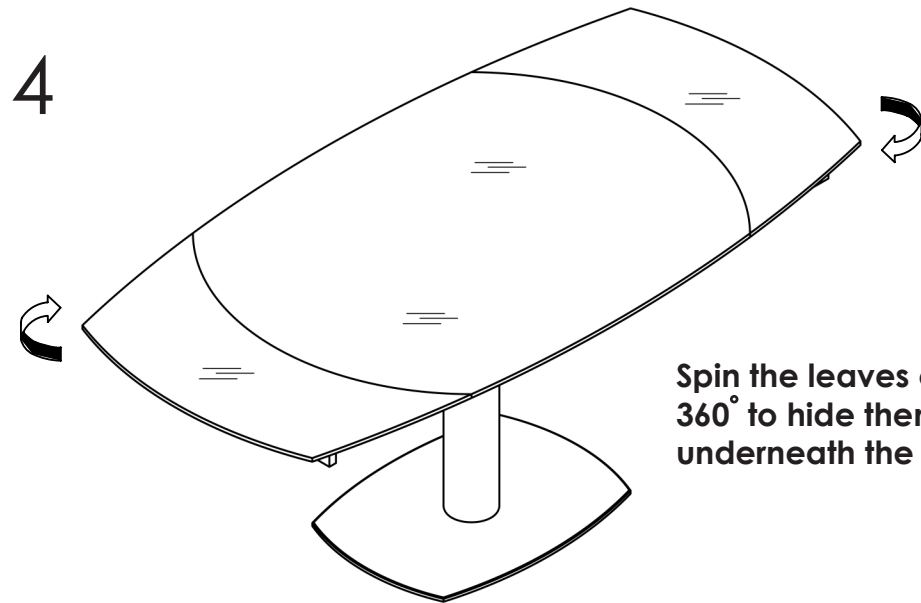
PLEASE NOTE: Check that you have received all components and hardware before assembling. If you are missing any parts, contact your retailer, or fax Eurø Style at 415.455.8033 or email: cs@gotoeurostyle.com.

3



Spin the glass top counter-clockwise 360° to open the two extension leaves.

4



Spin the leaves clockwise 360° to hide them underneath the glass top.

During assembly, hand tighten screws only. When the screws are in place, tighten completely.