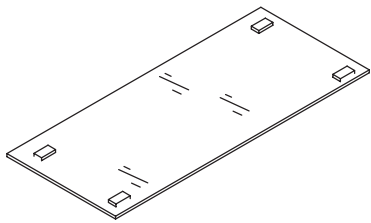


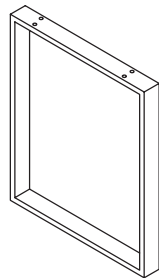
eurø style™

Assembly Instructions DIEGO Side Return

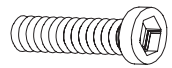
PLEASE NOTE: Check that you have received all components and hardware before assembling. If you are missing any parts, contact your retailer, or fax Eurø Style at 415.455.8033 or email: cs@gotoeurostyle.com.



1 (1 pc)



2 (2 pcs)



A (8 pcs)
M8 x 25mm



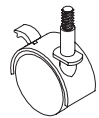
B (8 pcs)
M8mm



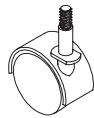
C (8 pcs)
M22 x 2mm



D (1 pc)
5mm



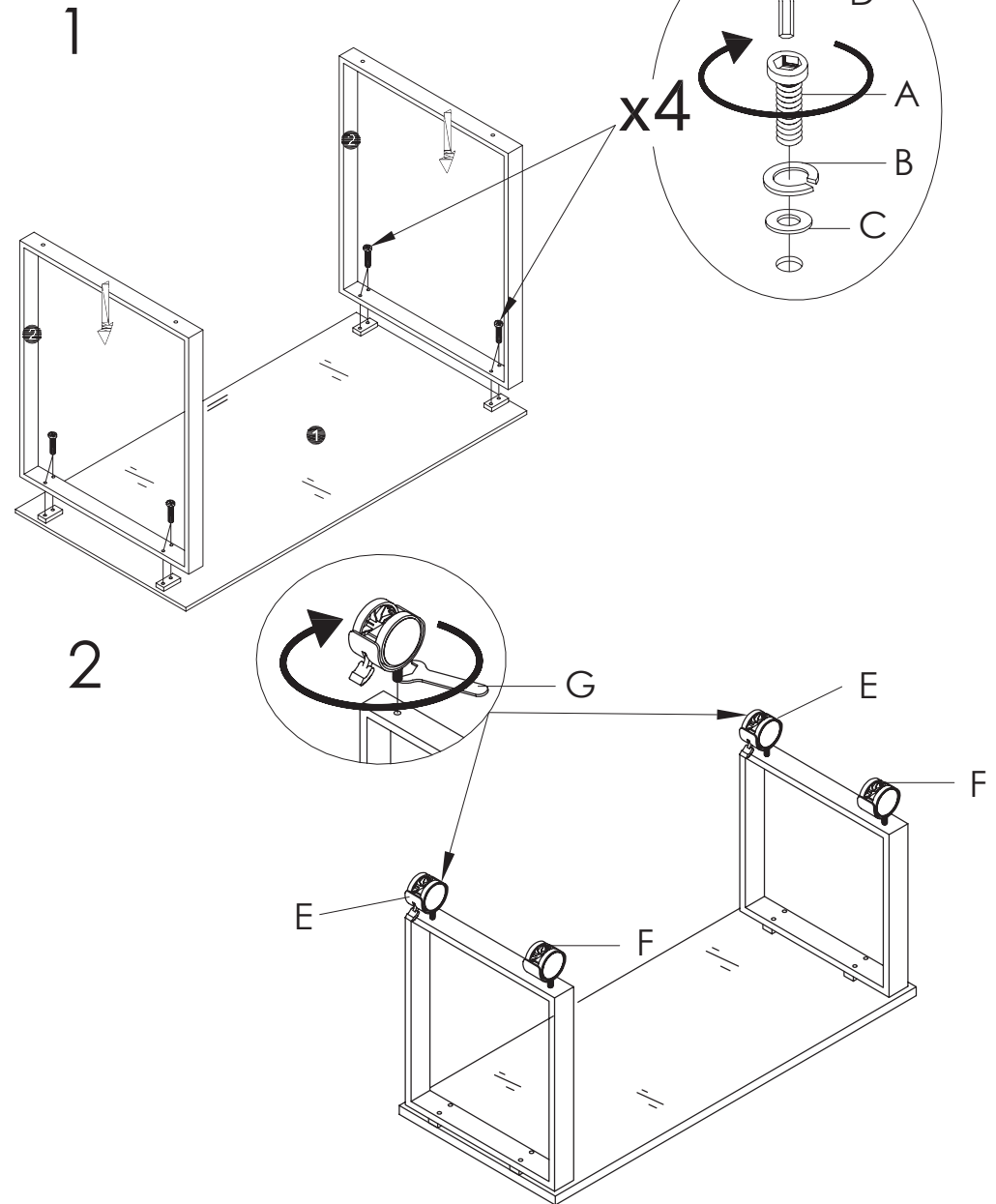
E (2 pcs)



F (2 pcs)



G (1 pc)
13mm



During assembly, hand tighten screws only. When the screws are in place, tighten completely.