

euø style™

Assembly Instructions CORDELIA Side Chair



A (1 pc)



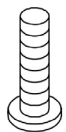
B (1 pc)



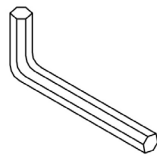
C (4 pcs)



D (4 pcs)

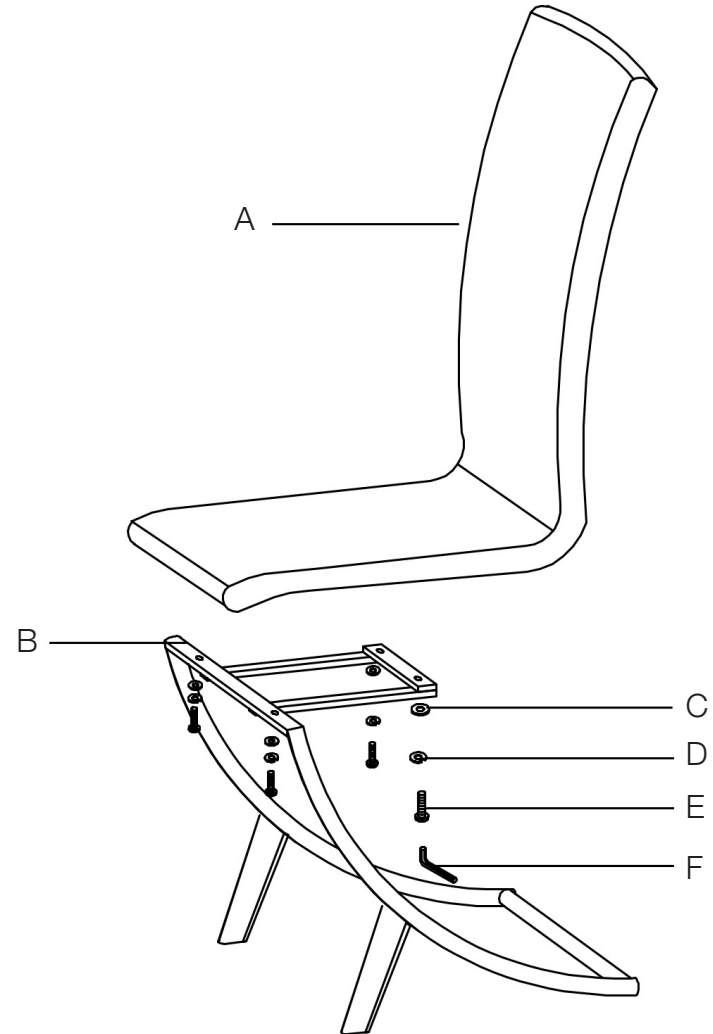


E (4 pcs)
Ø6 X 20mm



F (1 pc)

PLEASE NOTE: Check that you have received all components and hardware before assembling. If you are missing any parts, contact your retailer, or fax Eurø Style at 415.455.8033 or email: cs@gotoeurostyle.com.



During assembly, hand tighten screws only. When the screws are in place, tighten completely.