

## Assembly Instructions CLAUDIUS Side Chair

PLEASE NOTE: Check that you have received all components and hardware before assembling.  
If you are missing any parts fax Euro Style at 415.455.8033 or email: [claims@gotoeurostyle.com](mailto:claims@gotoeurostyle.com)



A (2 pcs)  
M6 x 35mm



E (10 pcs)



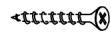
B (4 pcs)  
M6 x 60mm



F (1 pc)  
4mm



C (4 pcs)  
M6 x 80mm

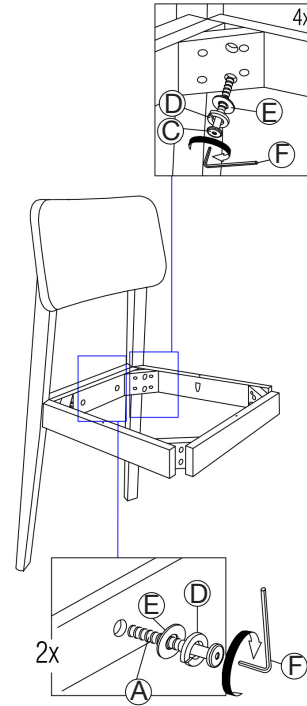


G (3 pcs)  
M8 x 32mm

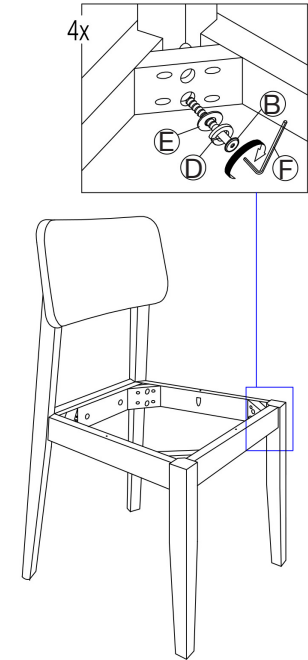


D (10 pcs)

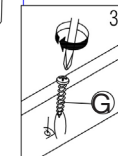
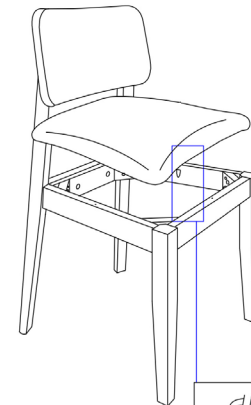
1



2



3



During assembly, hand tighten screw only. When the screw is in place, tighten completely.