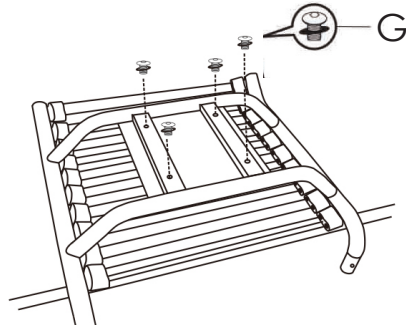


# euø style™

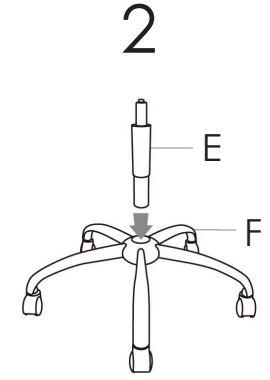
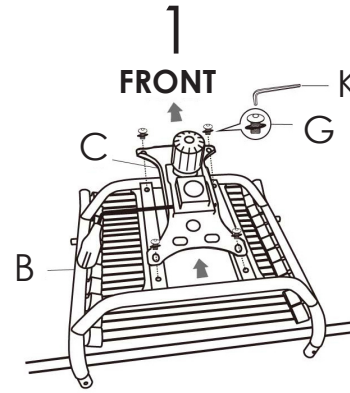
## Assembly Instructions

### BUNGIE Flat J-Arm Office Chair

PLEASE NOTE: Check that you have received all components and hardware before assembling. If you are missing any parts, contact your retailer, or fax Eurø Style at 415.455.8033 or email: cs@gotoeurostyle.com.



**IMPORTANT NOTE:** Screws and washers (Parts G) are preassembled into the underside of the seat (Part B). Remove screws and washers from seat and then use to attach Part C to Part B, as shown in step 1.



A (1 pc)



B (1 pc)



C (1 pc)



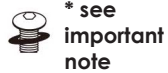
D (2 pcs)



E (1 pc)



F (1 pc)



G (4 pcs)  
M8 x 14mm



H (2 pcs)  
1/4" x 5/8"



I (4 pcs)  
M8 x 40mm



J (4 pcs)

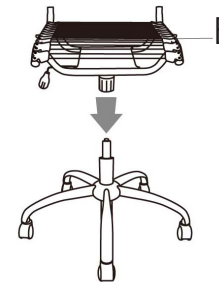


K (1 pc)  
5mm

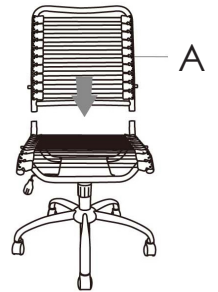


L (4 pc)  
4mm

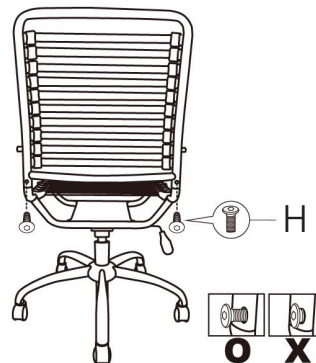
3



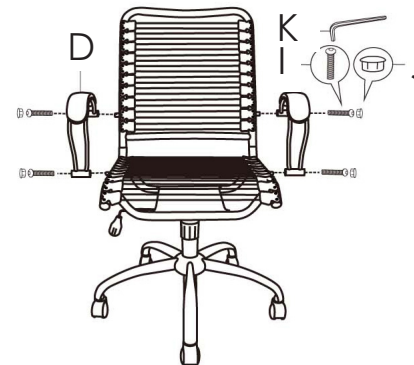
4



5



6



7

