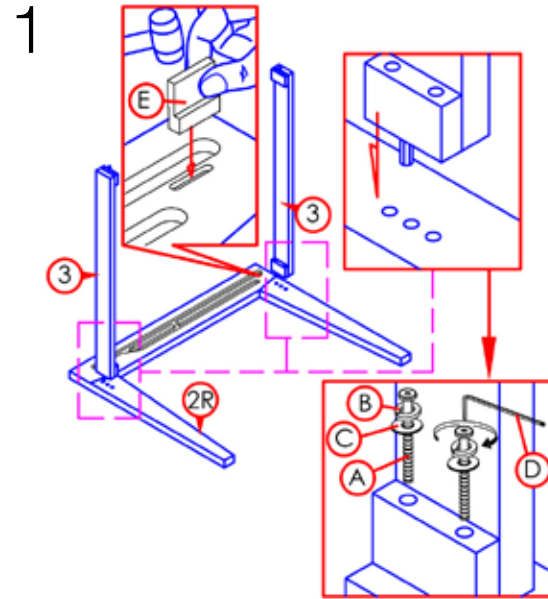
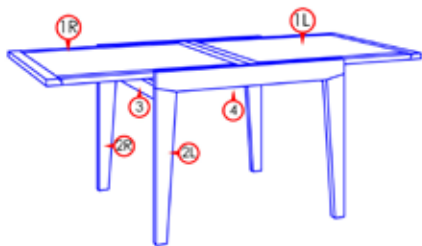
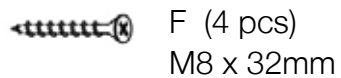
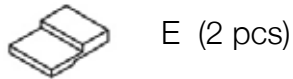
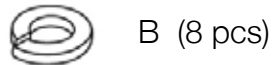
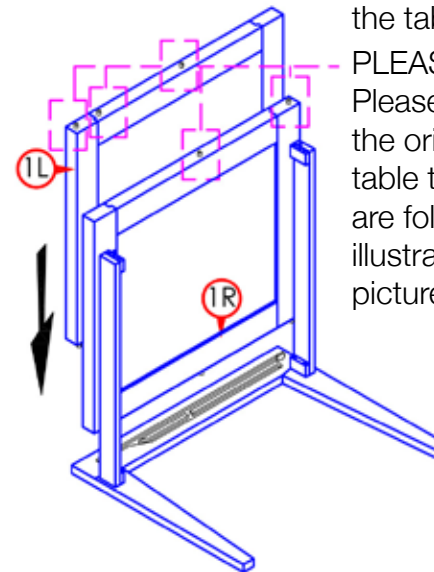


PLEASE NOTE: Check that you have received all components and hardware before assembling.
If you are missing any parts fax Euro Style at 415.455.8033 or email: claims@gotoeurostyle.com



PLEASE NOTE: The table tops (1L & 1R) are labeled accordingly on the bottom of the table tops.

2



PLEASE NOTE: Please make sure the orientation of the table tops (1L & 1R) are followed as illustrated on the picture shown.

PLEASE NOTE: Check that you have received all components and hardware before assembling. If you are missing any parts fax Euro Style at 415.455.8033 or email: claims@gotoeurostyle.com

