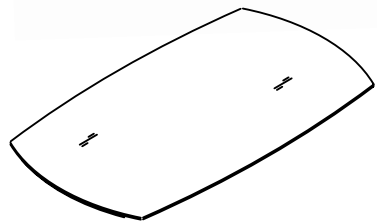


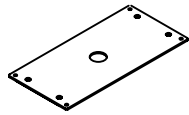
Assembly Instructions

AYANA 95" Extension Table

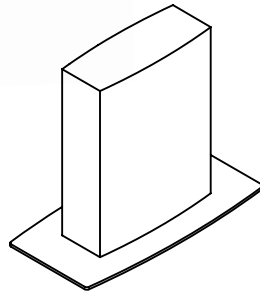
PLEASE NOTE: Check that you have received all components and hardware before assembling. If you are missing any parts, contact your retailer, or fax Eurø Style at 415.455.8033 or email: cs@gotoeurostyle.com.



A (1 pc)



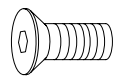
B (1 pc)



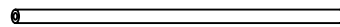
C (1 pc)



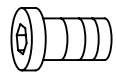
D (2 pcs)



E (8 pcs)
M8 x 20mm



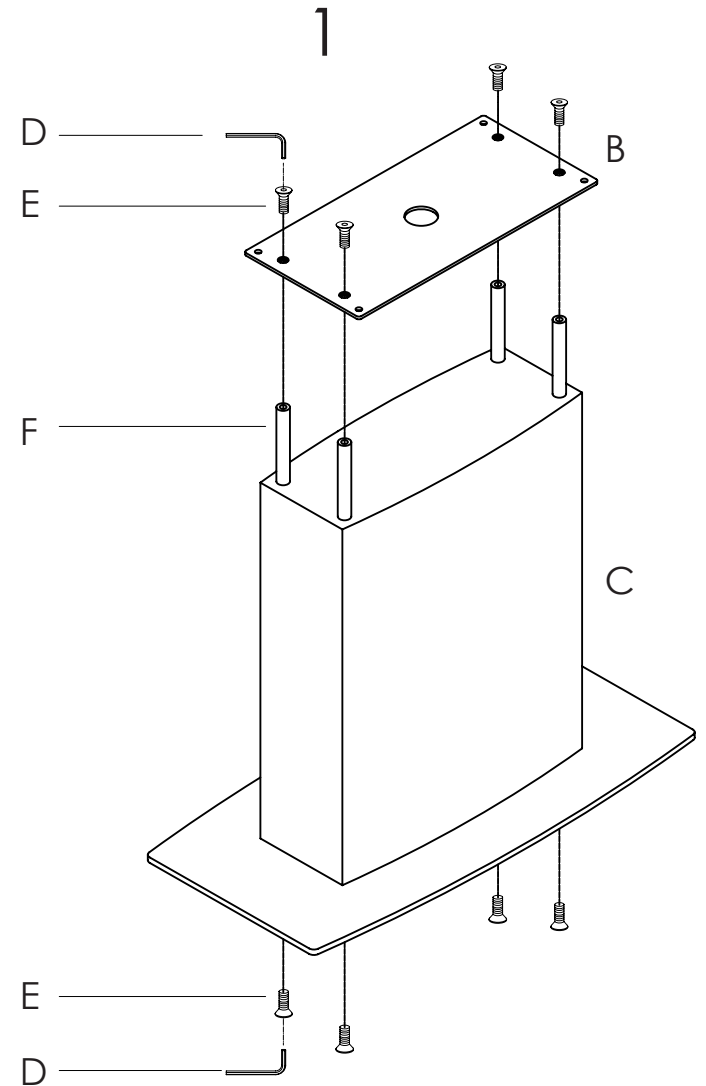
F (4 pcs)
620mm



G (4 pcs)
M8 x 20mm



H (4 pcs)

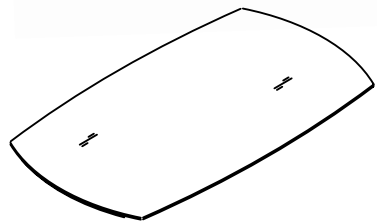


During assembly, hand tighten screws only. When the screws are in place, tighten completely.

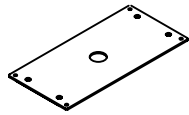
Assembly Instructions AYANA 95" Extension Table

PLEASE NOTE: Check that you have received all components and hardware before assembling. If you are missing any parts, contact your retailer, or fax Eurø Style at 415.455.8033 or email: cs@gotoeurostyle.com.

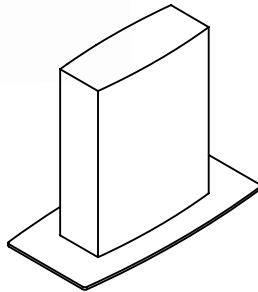
2



A (1 pc)



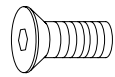
B (1 pc)



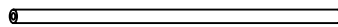
C (1 pc)



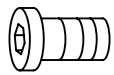
D (2 pcs)



E (8 pcs)
M8 x 20mm



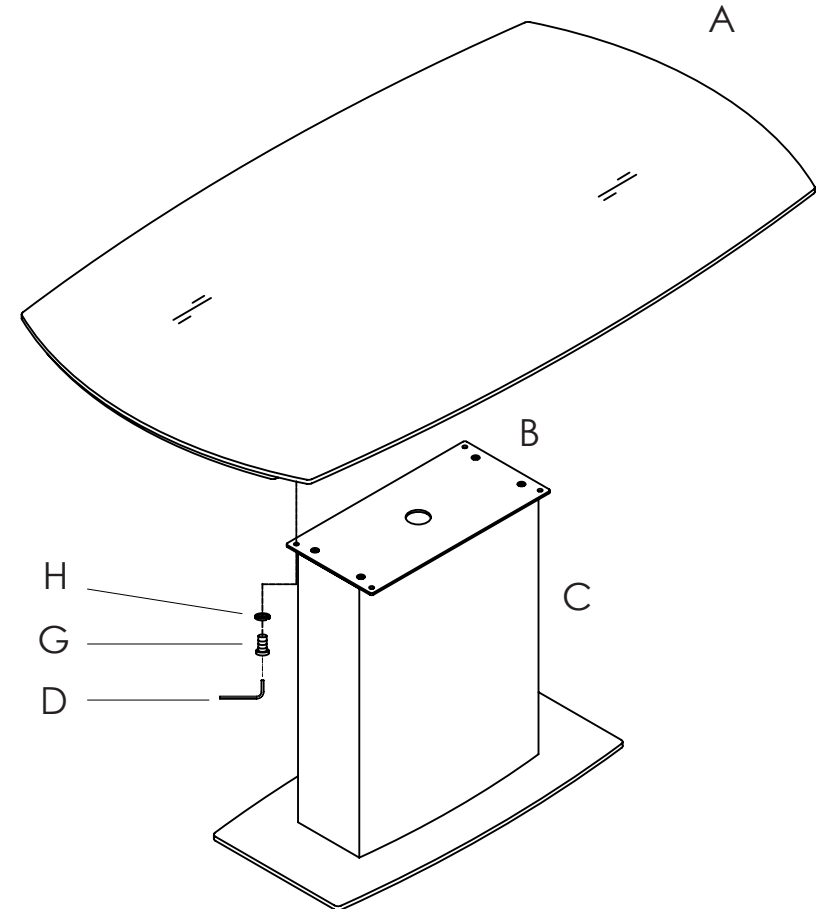
F (4 pcs)
620mm



G (4 pcs)
M8 x 20mm



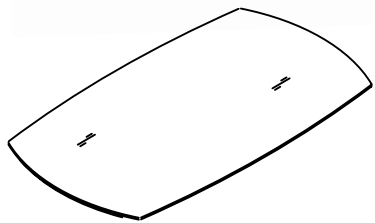
H (4 pcs)



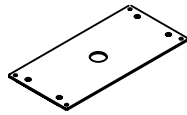
During assembly, hand tighten screws only. When the screws are in place, tighten completely.

Assembly Instructions AYANA 95" Extension Table

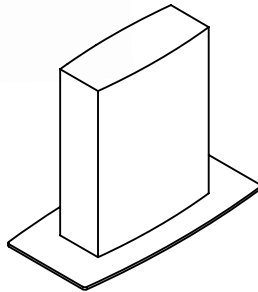
PLEASE NOTE: Check that you have received all components and hardware before assembling. If you are missing any parts, contact your retailer, or fax Eurø Style at 415.455.8033 or email: cs@gotoeurostyle.com.



A (1 pc)



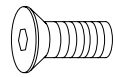
B (1 pc)



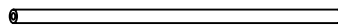
C (1 pc)



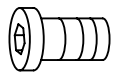
D (2 pcs)



E (8 pcs)
M8 x 20mm



F (4 pcs)
620mm

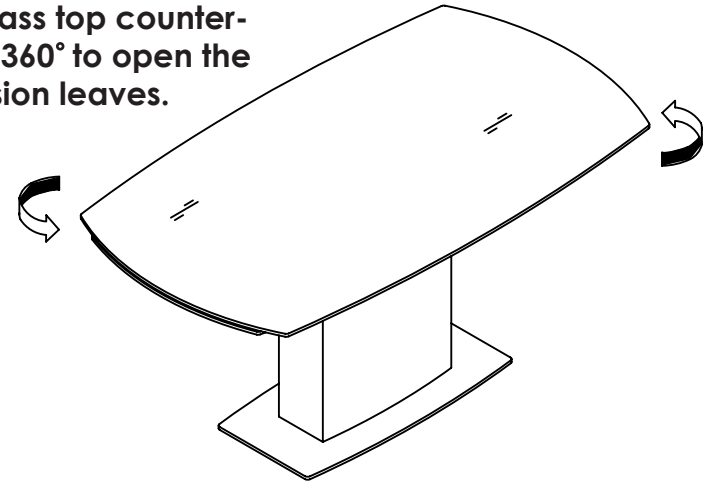


G (4 pcs)
M8 x 20mm

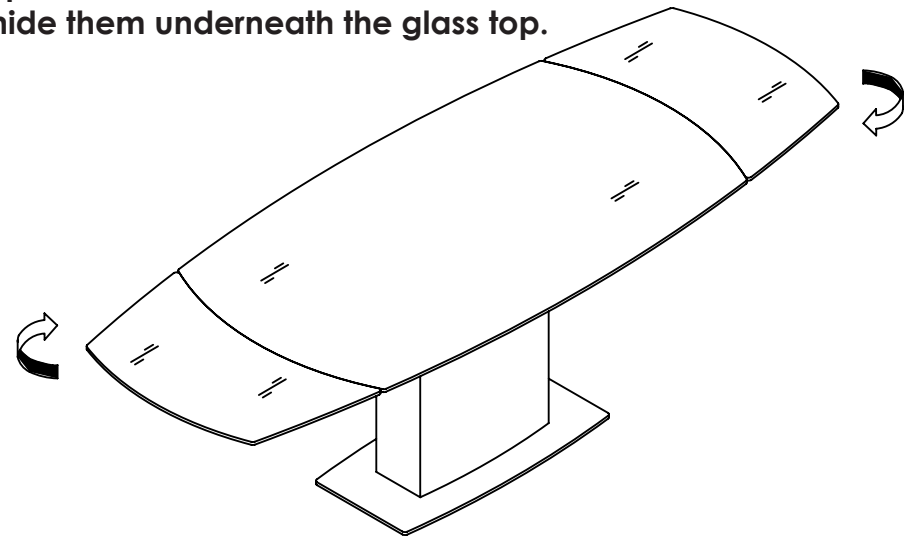


H (4 pcs)

Spin the glass top counter-clockwise 360° to open the two extension leaves.



Spin the leaves clockwise 360° to hide them underneath the glass top.



During assembly, hand tighten screws only. When the screws are in place, tighten completely.