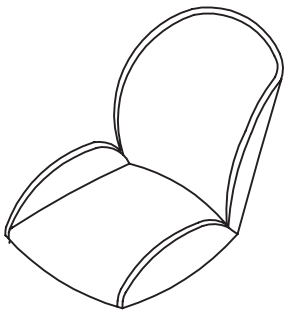
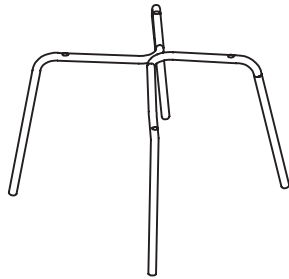


## Assembly Instructions AMANDA Side Chair

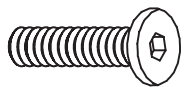
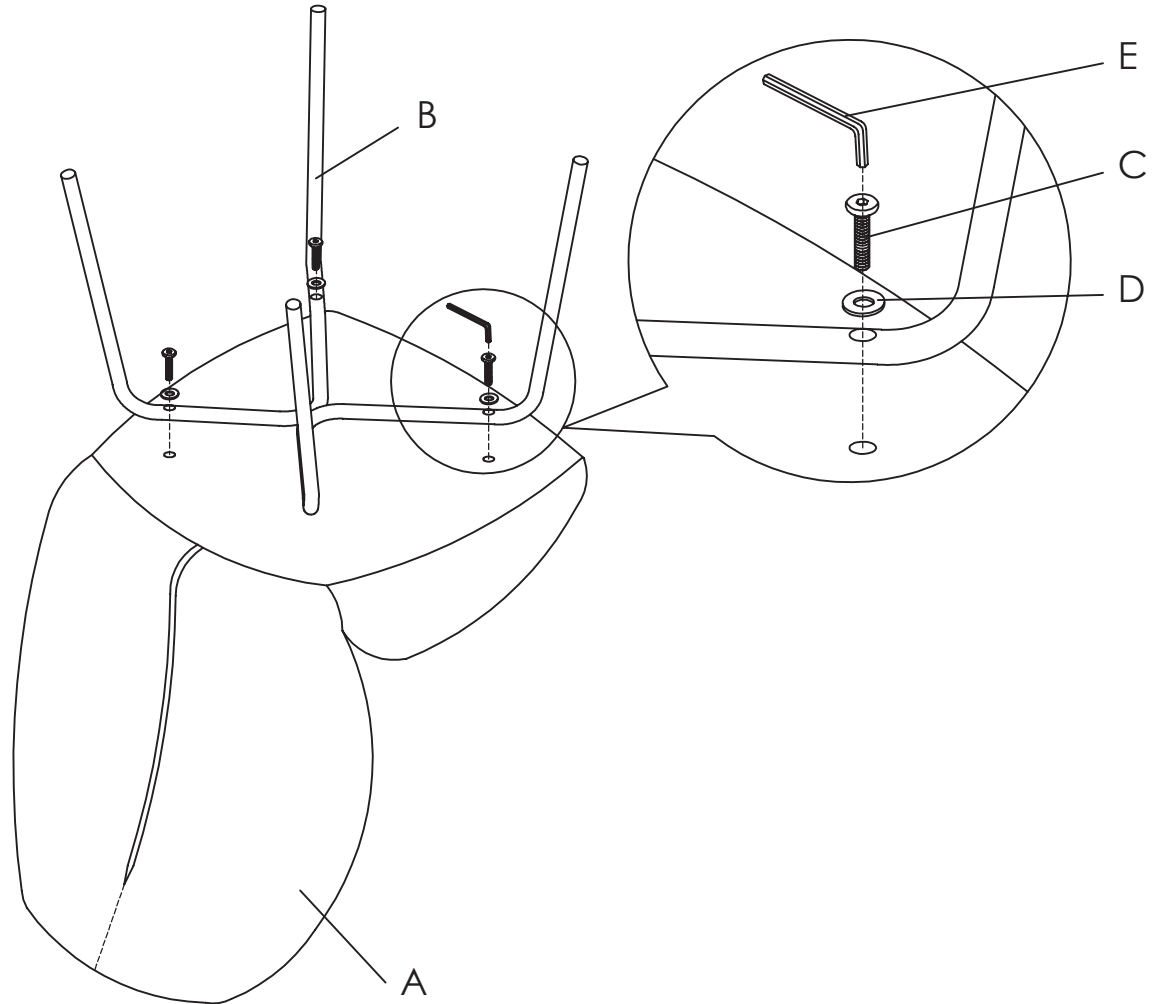
PLEASE NOTE: Check that you have received all components and hardware before assembling. If you are missing any parts, contact your retailer, or fax Eurø Style at 415.455.8033 or email: [cs@gotoeurostyle.com](mailto:cs@gotoeurostyle.com).



A (1 pc)



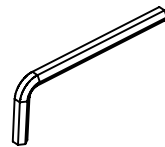
B (1 pc)



C (4 pcs)  
M6 x 35mm



D (4 pcs)  
Ø16 x Ø6



E (1 pc)

During assembly, hand tighten screws only. When the screws are in place, tighten completely.