

A (4 pcs)
Ø8 X 30mm



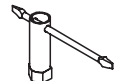
B (6 pcs)
Ø8 X 472mm



C (6 pcs)
M22 x 1.5mm



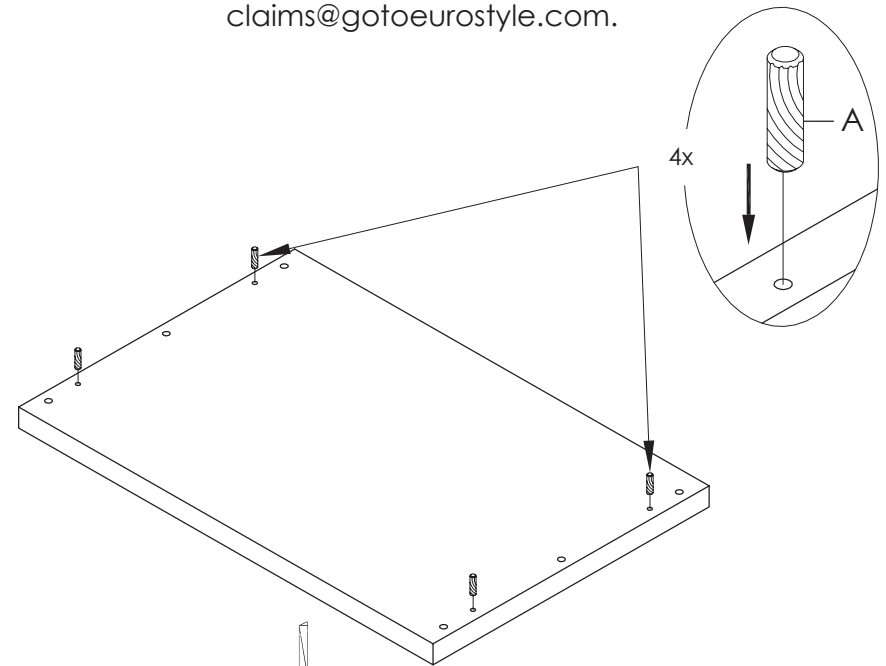
D (6 pcs)
M8mm



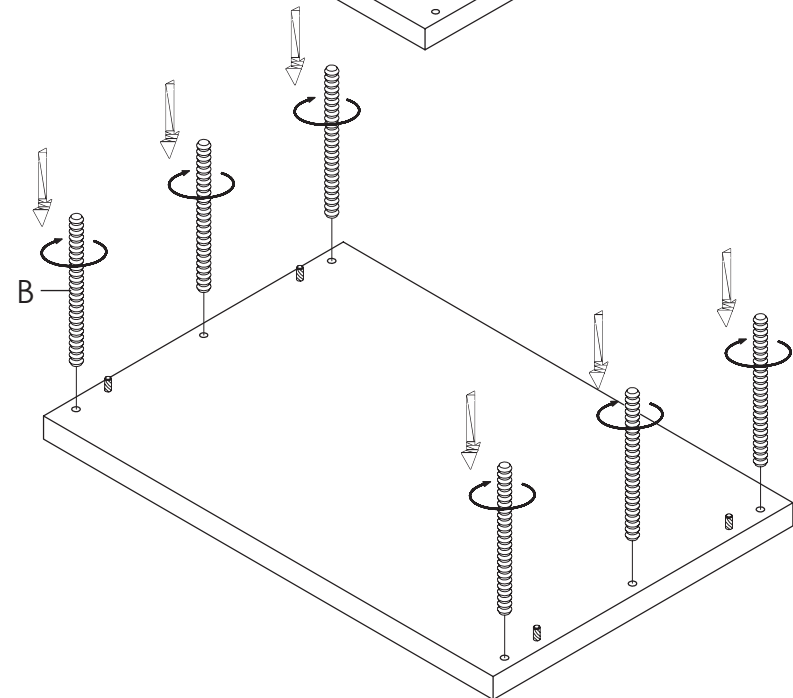
E (1 pc)
M8mm

PLEASE NOTE: Check that you have received all components and hardware before assembling. If you are missing any parts, contact your retailer, or fax Euro Style at 415.455.8033 or email: claims@gotoeurostyle.com.

1



2

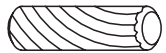
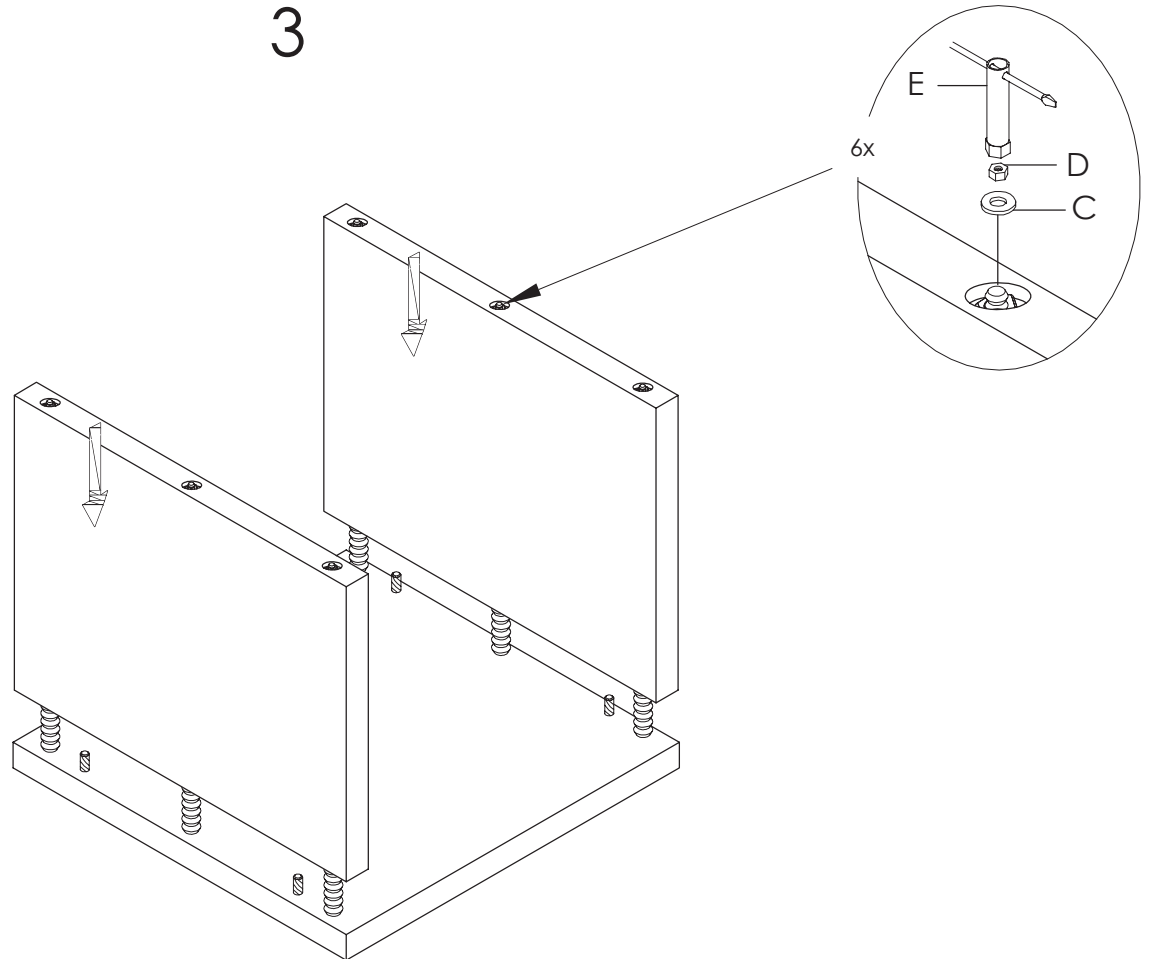


During assembly, hand tighten screws only. When all screws are in place, then tighten completely.

PLEASE NOTE: Check that you have received all components and hardware before assembling. If you are missing any parts, contact your retailer, or fax Euro Style at 415.455.8033 or email: claims@gotoeurostyle.com.



3



A (4 pcs)
Ø8 X 30mm



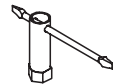
B (6 pcs)
Ø8 X 472mm



C (6 pcs)
M22 x 1.5mm



D (6 pcs)
M8mm



E (1 pc)
M8mm