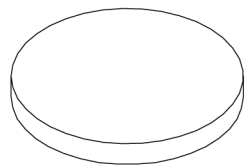
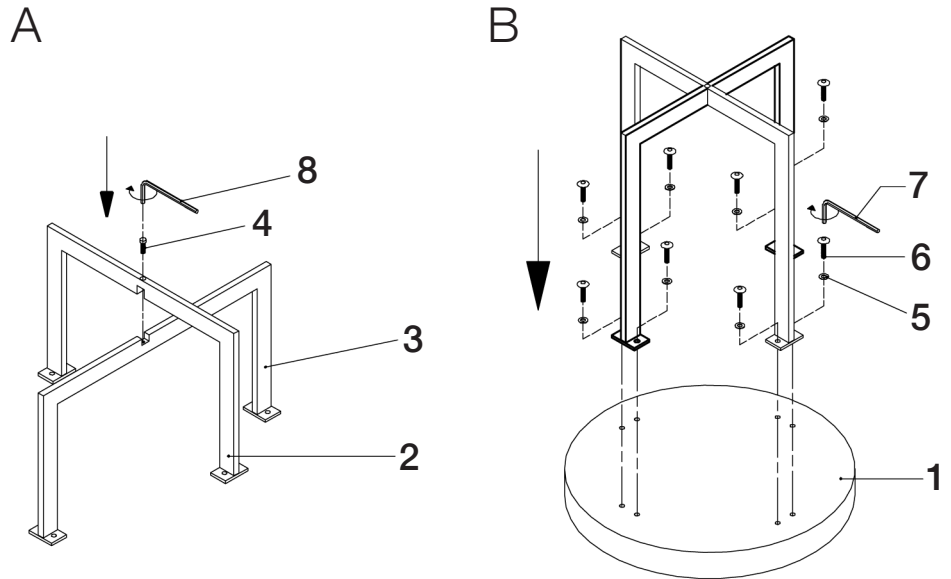


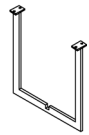
eurow style™

Assembly Instructions Oliver Side Table

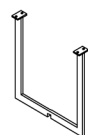
PLEASE NOTE: Check that you have received all components and hardware before assembling. If you are missing any parts, contact your retailer, or fax Euro Style at 415.455.8033.



① x1pc



② x1pc



③ x1pc



④ x1pc



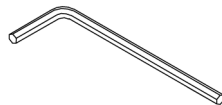
⑤ x8pcs



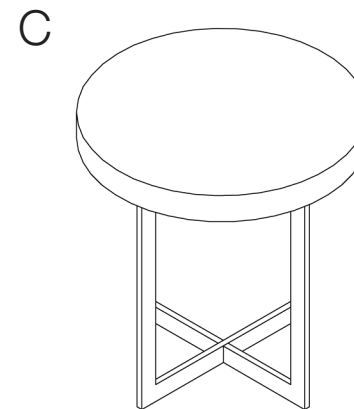
⑥ x8pcs



⑦ x1pc



⑧ x1pc



During assembly, hand tighten screws only. When all screws are in place, then tighten completely.