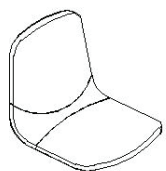


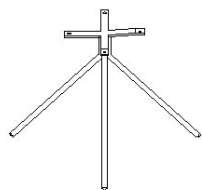
euro style™

Assembly Instructions DAX Side Chair

PLEASE NOTE: Check that you have received all components and hardware before assembling.
If you are missing any parts, fax Euro Style at 415.455.8033 or email: claims@gotoeurostyle.com



A (1 pc)



B (1 pc)



C (4 pcs)



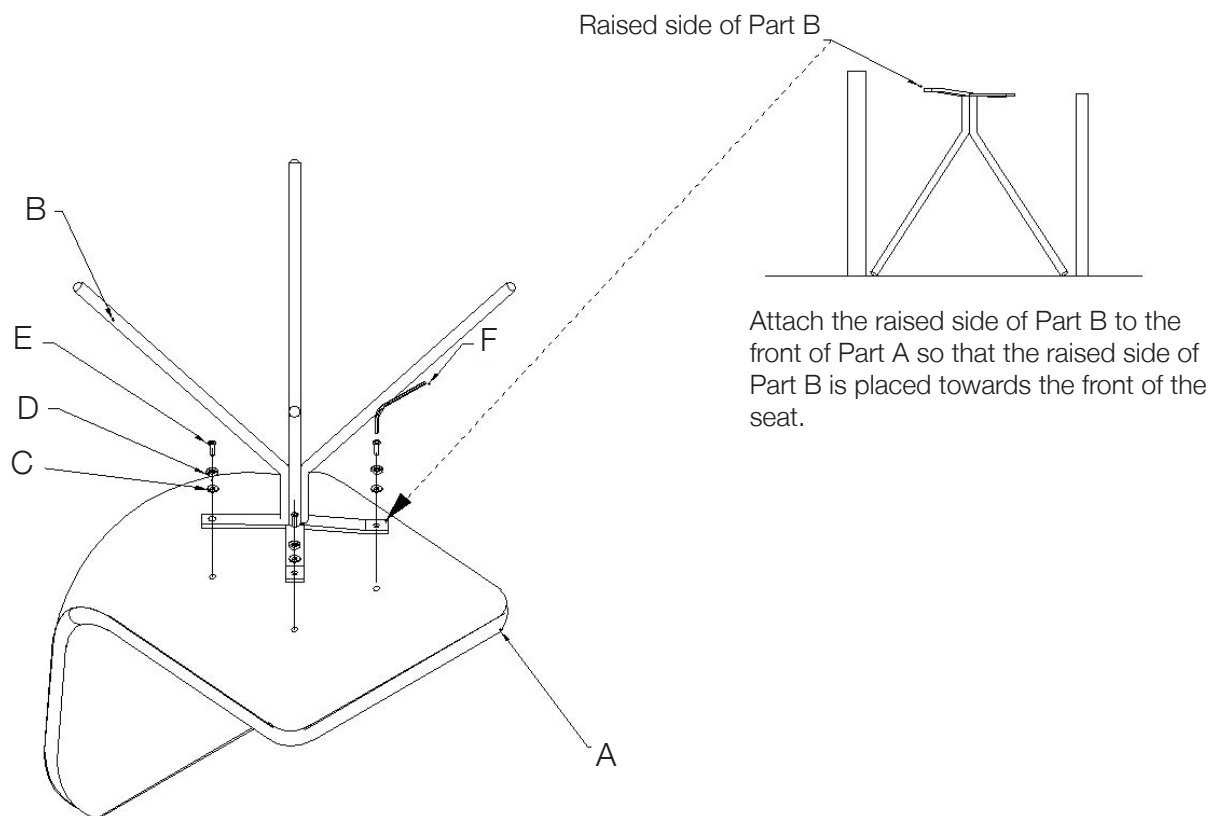
D (4 pcs)



E (4 pcs)
(Ø6 X 20mm)



F (1 pc)



During assembly, hand tighten screws only. When all screws are in place, then tighten completely.