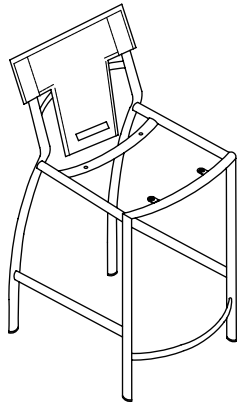


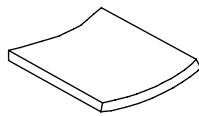
eurow style™

Assembly Instructions

Vinnie-C Counter Stool



A (1 pc)



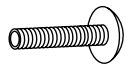
B (1 pc)



C (4 pcs)



D (4 pcs)



E (2 pcs)

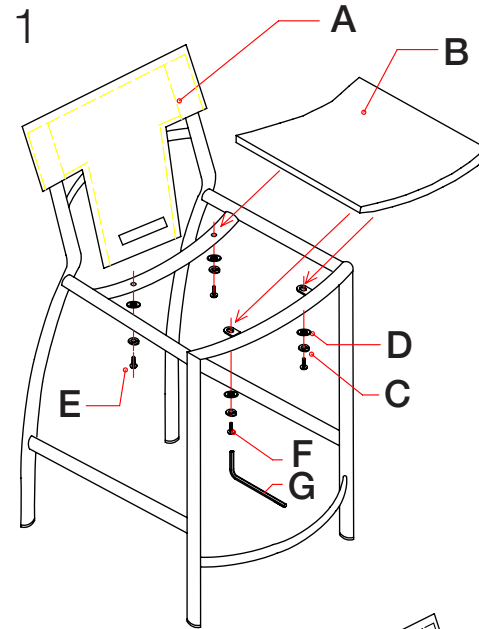


F (2 pcs)

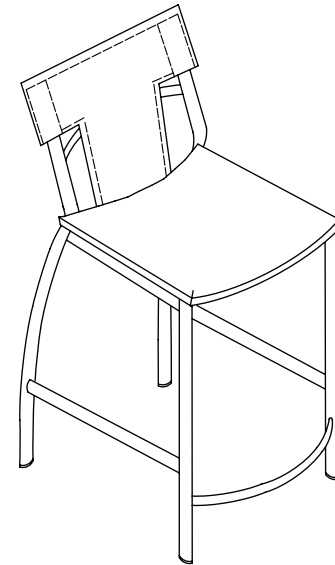


G (1 pc)

During assembly, hand tighten screws only. When all screws are in place, then tighten completely.



2



PLEASE NOTE: Check that you have received all components and hardware before assembling. If you are missing any parts, contact your retailer, or fax Euro Style at 415.455.8033.